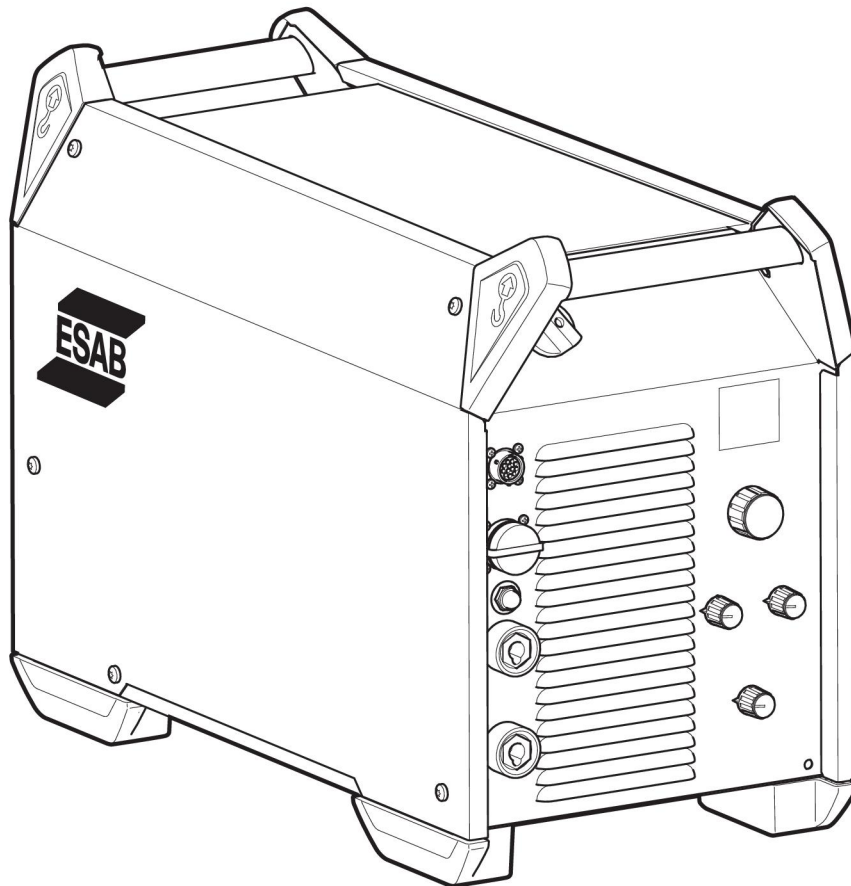




Warrior™ 500i CC/CV



US Instruction manual
CA Manuel d'instructions

XL Instrucciones de uso
RU Инструкция по эксплуатации

TABLE OF CONTENTS




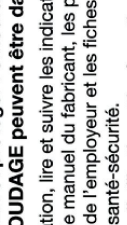
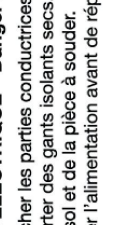
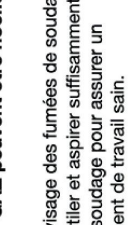
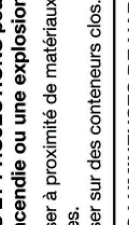
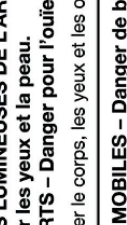
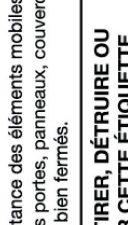
ENGLISH	3
CANADIAN FRANÇAIS	21
ESPAÑOL SA	40
РУССКИЙ	59

TABLE OF CONTENTS

1	WARNINGS	4
2	SAFETY	5
3	INTRODUCTION	8
	3.1 Overview	8
	3.2 Equipment.....	8
4	TECHNICAL DATA	9
5	INSTALLATION	11
	5.1 General.....	11
	5.2 Lifting instructions.....	11
	5.3 Location	11
	5.4 Mains supply	12
6	OPERATION	14
	6.1 Overview	14
	6.2 Connections and control devices.....	14
	6.3 Connecting welding and return cables	15
	6.4 Turning the mains power on/off.....	15
	6.5 Fan control.....	15
	6.6 Symbols and functions.....	15
7	MAINTENANCE	18
	7.1 Overview	18
	7.2 Power source.....	18
	7.3 Welding torch	18
8	TROUBLESHOOTING	19
9	ORDERING SPARE PARTS	20
	DIAGRAM	78
	ORDERING NUMBERS	79
	ACCESSORIES	80

Rights reserved to alter specifications without notice.

1 WARNINGS

 WARNING	 ADVERTENCIA	 AVERTISSEMENT
 <p>PROTECT yourself and others. ARC PROCESSES can be hazardous.</p> <ul style="list-style-type: none"> • Before use, read and follow all labels, the manufacturer's instruction manual, employer's safety practices, and Material Safety Data Sheets (MSDSs). • Only qualified persons are to install, use, or service this equipment. 	<p>PROTÉJASE y proteja a los demás. PROCESOS DE ARCO pueden ser peligrosos.</p> <ul style="list-style-type: none"> • Antes de utilizarlo, lea y siga todas las etiquetas, el manual de instrucciones del fabricante, las prácticas de seguridad del empleador y las Hojas de datos de seguridad de los materiales (MSDS). • Únicamente personal calificado puede instalar, utilizar o brindar servicio a este equipo. 	<p>SE PROTÉGER et protéger l'entourage ! ARCS DE SOUDAGE peuvent être dangereux.</p> <ul style="list-style-type: none"> • Avant utilisation, lire et suivre les indications des étiquettes, le manuel du fabricant, les pratiques de sécurité de l'employeur et les fiches techniques santé-sécurité. • L'installation, l'utilisation et la réparation sont réservées aux personnes qualifiées.
 <p>ELECTRIC SHOCK can kill.</p> <ul style="list-style-type: none"> • Do not touch live electrical parts. • Always wear dry insulating gloves. • Insulate yourself from work and ground. • Disconnect input power before servicing unit. 	<p>DESCARGAS ELÉCTRICAS pueden ser mortales.</p> <ul style="list-style-type: none"> • No toque partes eléctricas energizadas. • Utilice siempre guantes aislantes secos. • Aísele del equipo con el que está trabajando y respecto de tierra. • Antes de brindar servicio a la unidad, desconecte la entrada de alimentación. 	<p>DÉCHARGE ÉLECTRIQUE – Danger de mort.</p> <ul style="list-style-type: none"> • Ne pas toucher les parties conductrices. • Toujours porter des gants isolants secs. • S'isoler du sol et de la pièce à souder. • Déconnecter l'alimentation avant de réparer l'appareil.
 <p>FUMES AND GASES can be hazardous to your health.</p> <ul style="list-style-type: none"> • Keep your head out of the fumes. • Use enough ventilation, exhaust at the arc, or both to keep fumes and gases from your breathing zone and the general area. 	<p>HUMOS Y GASES pueden ser peligrosos para la salud.</p> <ul style="list-style-type: none"> • Mantenga la cabeza alejada de los humos. • Disponga una ventilación suficiente o una vía de salida en el arco, o ambas, para mantener humos y gases alejados de su zona de respiración y del área general. 	<p>FUMÉES ET GAZ peuvent être nocifs pour la santé.</p> <ul style="list-style-type: none"> • Éloigner le visage des fumées de soudage. • Veiller à ventiler et aspirer suffisamment les fumées de soudage pour assurer un environnement de travail sain.
 <p>SPARKS AND SPATTER can cause fire or explosion.</p> <ul style="list-style-type: none"> • Do not use near flammable material. • Do not use on closed containers. 	<p>CHISPAS Y SALPICADURAS pueden provocar incendios o explosiones.</p> <ul style="list-style-type: none"> • No utilizar cerca de materiales inflamables. • No utilizar en contenedores cerrados. 	<p>ÉTINCELLES ET PROJECTIONS peuvent causer un incendie ou une explosion.</p> <ul style="list-style-type: none"> • Ne pas utiliser à proximité de matériaux inflammables. • Ne pas utiliser sur des conteneurs clos.
 <p>ARC RAYS can injure eyes and burn skin. NOISE can damage hearing.</p> <ul style="list-style-type: none"> • Wear correct eye, ear, and body protection. 	<p>RAYOS EMITIDOS POR LOS ARCOS ELÉCTRICOS pueden dañar los ojos y quemar la piel. RUIDOS FUERTES pueden dañar la audición.</p> <ul style="list-style-type: none"> • Use la protección ocular, auditiva y corporal correcta. 	<p>RADIATIONS LUMINEUSES DE L'ARC – Danger pour les yeux et la peau. BRUITS FORTS – Danger pour l'ouïe.</p> <ul style="list-style-type: none"> • Bien protéger le corps, les yeux et les oreilles.
 <p>MOVING PARTS can injure.</p> <ul style="list-style-type: none"> • Keep away from moving parts. • Keep all doors, panels, covers, and guards closed and securely in place. 	<p>PARTES MÓVILES pueden provocar lesiones.</p> <ul style="list-style-type: none"> • Manténgase alejado de las partes móviles. • Mantenga todas las puertas, cubiertas, protecciones y paneles cerrados y sujetos en su lugar. 	<p>ÉLÉMENTS MOBILES – Danger de blessure</p> <ul style="list-style-type: none"> • Rester à distance des éléments mobiles. • Maintenir les portes, panneaux, couvercles et protections bien fermés.
<p>DO NOT REMOVE, DESTROY OR COVER THIS LABEL</p>	<p>NO RETIRAR, DESTRUIR O CUBRIR ESTA ETIQUETA.</p>	<p>NE PAS RETIRER, DÉTRUIRE OU RECOUVRIR CETTE ÉTIQUETTE</p>

0465419002

2 SAFETY

Users of ESAB equipment have the ultimate responsibility for ensuring that anyone who works on or near the equipment observes all the relevant safety precautions. Safety precautions must meet the requirements that apply to this type of equipment. The following recommendations should be observed, in addition to the standard regulations that apply to the workplace.

All work must be carried out by trained personnel well-acquainted with the operation of the equipment. Incorrect operation of the equipment may lead to hazardous situations, which could result in injury to the operator and damage to the equipment.

1. Anyone who uses the equipment must be familiar with:
 - its operation
 - the location of emergency stops
 - its function
 - the relevant safety precautions
 - welding and cutting or other applicable operation of the equipment
2. The operator must ensure that:
 - no unauthorised person is within the working area of the equipment when it is started up
 - no-one is unprotected when the arc is struck or work is started with the equipment
3. The workplace must:
 - be suitable for the purpose
 - be free from drafts
4. Personal safety equipment:
 - Always wear recommended personal safety equipment, such as safety glasses, flame-proof clothing, safety gloves
 - Do not wear loose-fitting items, such as scarves, bracelets, rings, etc., which could become trapped or cause burns
5. General precautions:
 - Make sure the return cable is connected securely
 - Work on high voltage equipment **may only be carried out by a qualified electrician**
 - Appropriate fire extinguishing equipment must be clearly marked and close at hand
 - Lubrication and maintenance must **not** be carried out on the equipment during operation

**WARNING!**

Arc welding and cutting can be injurious to yourself and others. Take precautions when welding and cutting. Ask for your employer's safety practices, which should be based on manufacturers' hazard data.

ELECTRIC SHOCK - Can kill

- Install and earth the unit in accordance with applicable standards
- Do not touch live electrical parts or electrodes with bare skin, wet gloves or wet clothing
- Insulate yourself from earth and the workpiece
- Ensure your working stance is safe

FUMES AND GASES - Can be dangerous to health

- Keep your head out of the fumes
- Use ventilation, extraction at the arc, or both, to take fumes and gases away from your breathing zone and the general area

ARC RAYS - Can injure eyes and burn skin

- Protect your eyes and body. Use the correct welding screen and filter lens and wear protective clothing
- Protect bystanders with suitable screens or curtains

FIRE HAZARD

- Sparks (spatter) can cause fire. Therefore, make sure there are no flammable materials nearby

NOISE - Excessive noise can damage hearing

- Protect your ears. Use earmuffs or other hearing protection. Protect your ears. Use earmuffs or other hearing protection
- Warn bystanders of the risk

MALFUNCTION - Call for expert assistance in the event of malfunction.

Read and understand the instruction manual before installing or operating.

PROTECT YOURSELF AND OTHERS!

REFERENCE TO CAN/CSA-W117.2-06

**WARNING!**

Do not use the power source for thawing frozen pipes.

**CAUTION!**

Read and understand the instruction manual before installing or operating.

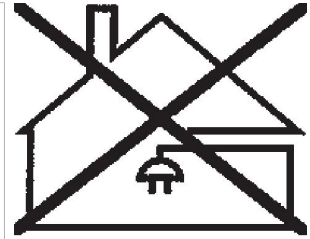
**CAUTION!**

This product is solely intended for arc welding.



CAUTION!

Class A equipment is not intended for use in residential locations where the electrical power is provided by the public low-voltage supply system. There may be potential difficulties in ensuring electromagnetic compatibility of class A equipment in such locations, due to conducted as well as radiated disturbances.



ESAB can provide you with all necessary welding protection and accessories.

3 INTRODUCTION

3.1 Overview

The **Warrior 500i CC/CV** is a welding power source intended for GMAW welding, as well as for welding with powder-filled cored wire (FCAW-S), for GTAW welding, for welding with coated electrodes (SMAW) and arc air gouging.

The power sources are intended for use with the following wire feed units:

- Warrior Feed 304
- Warrior Feed 304w

ESAB's accessories for the product can be found in the "ACCESSORIES" chapter of this manual.

3.2 Equipment

The power source is delivered with:

- 5 m return cable with ground clamp
- Instruction manual

4 TECHNICAL DATA

Warrior 500i CC/CV	
Mains voltage	380 V; 440 V; 460 V; 575 V \pm 10%, 3~ 50/60 Hz
Primary current I_{\max} . GMAW - MIG	38 A
I_{\max} . GTAW - TIG	31 A
I_{\max} . SMAW - MMA	38 A
No load power in energy-saving mode 6.5 min. after welding	40 W
Setting range GMAW - MIG flat characteristic	16 A/15 V-500 A/39 V
GTAW - TIG drooping characteristic	5 A/10 V-500 A/30 V
SMAW - MMA drooping characteristic	16 A/20 V-500 A/40 V
Permissible load at GMAW 60% duty cycle	500 A/39 V
100% duty cycle	400 A/34 V
Permissible load at GTAW 60% duty cycle	500 A/30 V
100% duty cycle	400 A/26 V
Permissible load at SMAW 60% duty cycle	500 A/40 V
100% duty cycle	400 A/36 V
Power factor at maximum current GMAW	0.87
GTAW	0.83
SMAW	0.87
Efficiency at maximum current GMAW	90%
GTAW	88%
SMAW	90%
Electrode types	Basic Rutile Cellulosic
Open-circuit voltage without VRD function	84 V DC
Apparent power at maximum current	31.7 kVA
Active power at maximum current	22.6 kW
Operating temperature	-50 to 104°F (-10 to 40°C)
Transport temperature	-68 to 131°F (-20 to 55°C)
Constant sound pressure when idling	<70 db (A)

Warrior 500i CC/CV	
Dimensions l × w × h	28.1 x 12.8 x 18.5 inch (712 x 325 x 470 mm)
Weight (welding power source)	115.7 lbs (52.5 kg)
Insulation class	H
Enclosure class	IP 23
Application class	S

Duty cycle

The duty cycle refers to the time, expressed as a percentage of a ten-minute period, during which you can weld or cut at a certain load without overloading. The duty cycle is valid for 104°F (40°C).

Enclosure class

The **IP** code indicates the enclosure class, i.e. the degree of protection against penetration by solid objects or water.

Equipment marked **IP23** is intended for indoor and outdoor use.

Application class

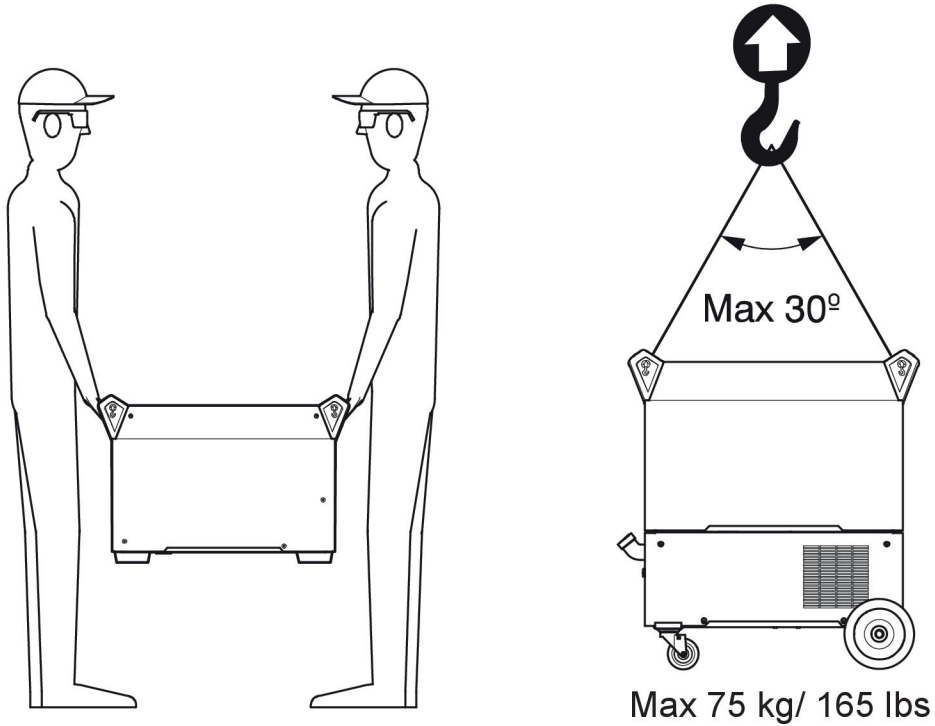
The symbol S indicates that the power source is designed for use in areas with increased electrical hazard.

5 INSTALLATION

5.1 General

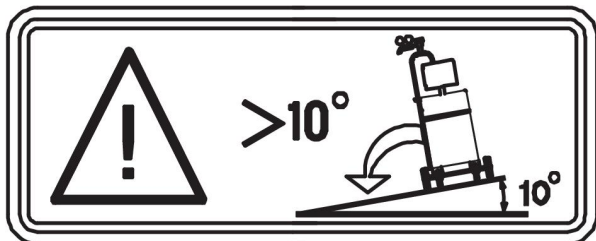
The installation must be carried out by a professional.

5.2 Lifting instructions



WARNING!

Secure the equipment - particularly if the ground is uneven or sloping.



5.3 Location

Position the welding power source such its cooling air inlets and outlets are not obstructed.

5.4 Mains supply

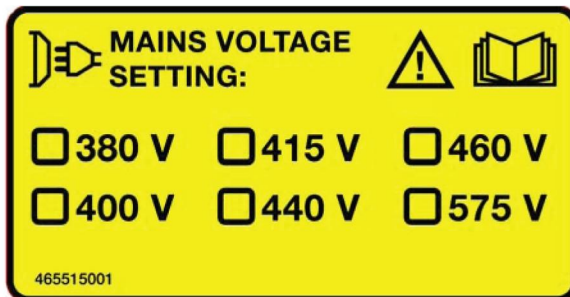


NOTE!

Mains supply requirements

High power equipment, due to the primary current drawn from the mains supply, may influence the power quality of the grid. Therefore, connection restrictions or requirements regarding the maximum permissible mains impedance, or the required minimum supply capacity at the interface point to the public grid, may apply for some types of equipment (see technical data). In this case, it is the responsibility of the installer or user of the equipment to ensure, in consultation with the distribution network operator if necessary, that the equipment may be connected.

Make sure that the welding power source is connected to the correct supply voltage and that it is protected by the correct fuse rating. A protective ground connection must be made in accordance with regulations.



Rating plate with supply connection data

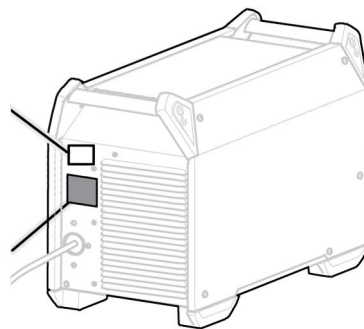


Table 1. Recommended fuse sizes and minimum cable area Warrior 500i CC/CV

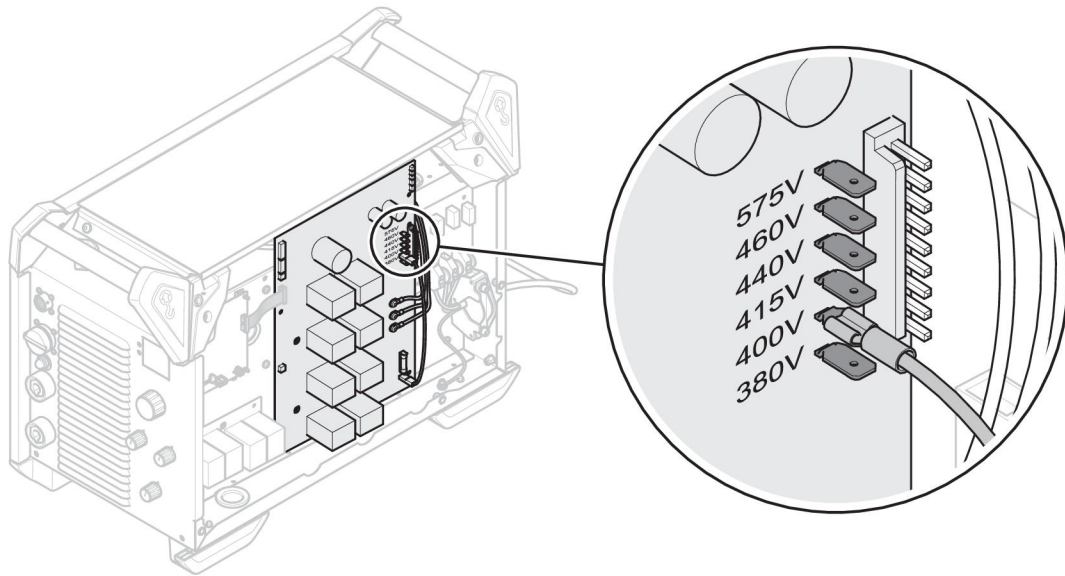
Warrior 500i CC/CV		
Mains voltage	380V 3~ 50/60 Hz	440V 3~ 50/60 Hz
Mains cable area	4C 8Awg / 4G 6mm ²	4C 8Awg / 4G 6mm ²
Phase current I_{eff}	30A	28A
Fuse		
anti-surge	35A	35A
type C MCB	32A	32A
Warrior 500i CC/CV		
Mains voltage	460V 3~ 50/60 Hz	575V 3~ 50/60 Hz
Mains cable area	4C 8Awg / 4G 6mm ²	4C 8Awg / 4G 6mm ²
Phase current I_{eff}	28A	24A
Fuse		
anti-surge	35A	25A
type C MCB	32A	25A



NOTE!

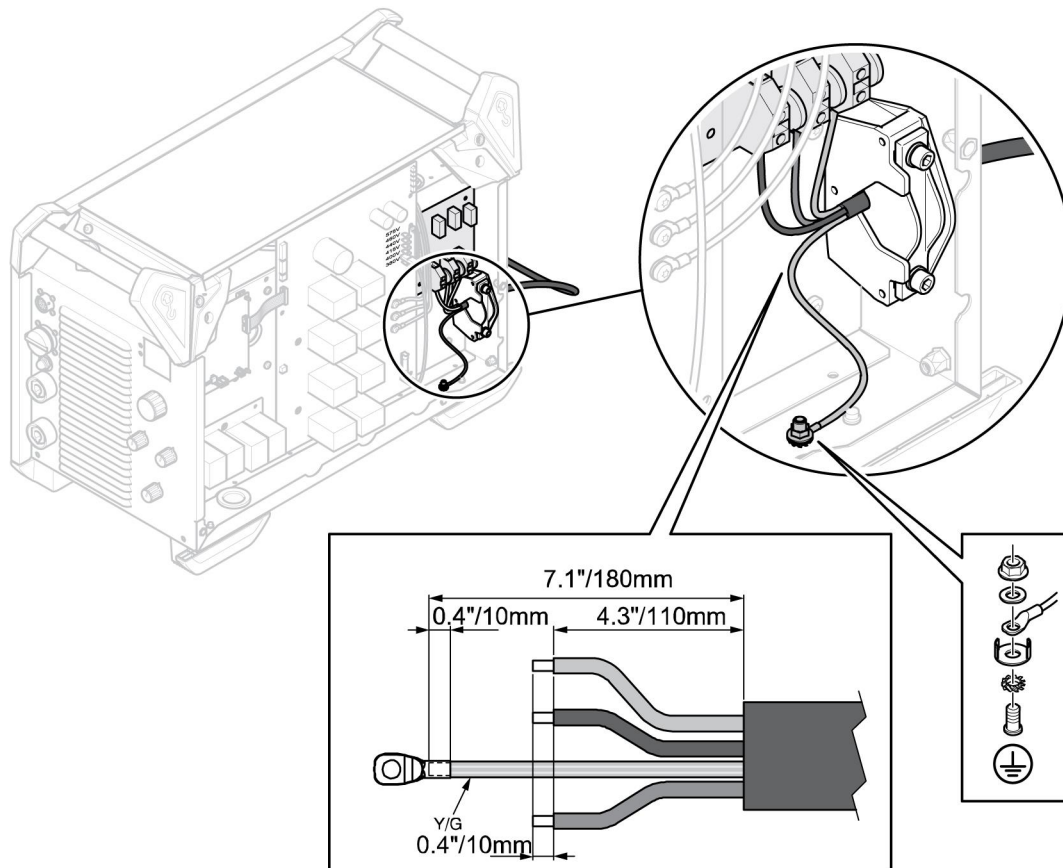
The mains cable areas and fuse sizes as shown above are in accordance with Swedish regulations. Use the power source in accordance with the relevant national regulations.

Connection instruction



The power source is connected to 460V from the factory. If a different mains voltage is required, the cable on the printed circuit board must be moved and placed on the correct pin. See picture above. This operation must be carried out by personnel with the appropriate electrical knowledge.

Installation of mains cable

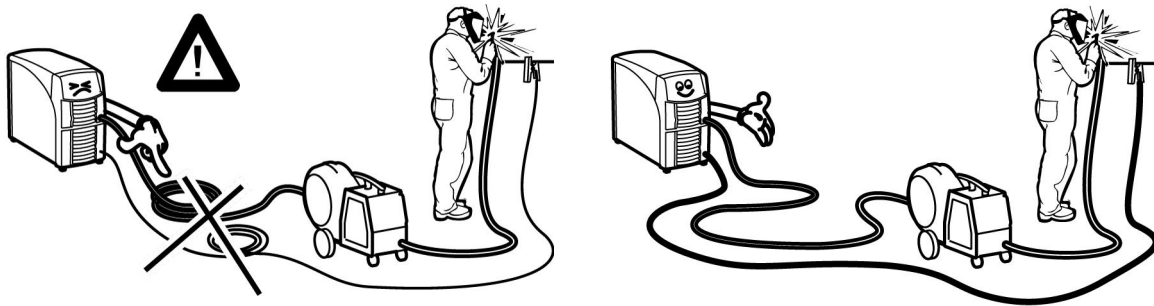


A mains cable needs to be installed. It is then important that the ground connection to the bottom plate be made in a correct way. See the picture above, for the order in which the washers, nuts and screws are placed.

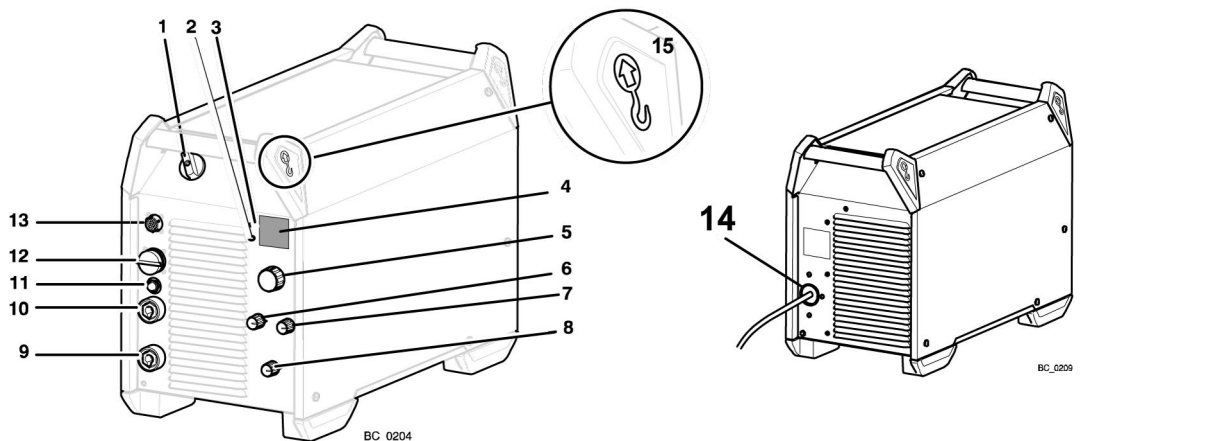
6 OPERATION

6.1 Overview

General safety regulations for handling the equipment can be found in the chapter "Safety". Read it before you start the equipment.



6.2 Connections and control devices



- | | |
|---|--|
| 1. Mains power supply switch, O/I | 9. Connection (-): MIG/MAG: Return cable
TiG: Welding torch MMA: Return cable or welding cable |
| 2. Indicator lamp, yellow, overheating | 10. Connection (+): MIG/MAG: Welding cable
TiG: Return cable MMA: Welding cable or return cable |
| 3. Indicator lamp, green, VRD function (reduced open-circuit voltage) | 11. Circuit breaker, 10 A, 42 V |
| 4. Display, current (A) and voltage (V) | 12. Connection for wire feed unit |
| 5. Knob for setting: SMAW/GTAW: Current (A) | 13. Connection for remote control unit (option) |
| 6. Knob for selecting electrode type | 14. Connection for mains power supply |
| 7. Knob for inductance (MIG/MAG) and arc force (MMA): | 15. Lifting eye bolt |
| 8. Knob for welding method | |

6.3 Connecting welding and return cables

The power source has two outputs, a positive terminal (+) and a negative terminal (-), for connecting welding and return cables. The output to which the welding cable is connected depends on the welding method or type of electrode used.

Connect the return cable to the other output on the power source. Secure the return cable's contact clamp to the workpiece and ensure there is a good contact between the workpiece and the output for the return cable on the power source.

For SMAW welding, the welding cable can be connected to the positive terminal (+) or negative terminal (-), depending on the type of electrode used. The connection polarity is stated on the electrode packaging.

6.4 Turning the mains power on/off

Turn on the mains power, by turning switch to the "I" position, see 1 in the picture above.

Turn the unit off by, turning the switch to the "O" position.

Whether the mains power supply is interrupted or the power source is switched off in the normal manner, the welding data will be stored so it is available the next time the unit is started.







CAUTION!







Do not turn off the power source during welding (with load).

6.5 Fan control

The power source has a time control, this means that the fans continue to run for 6.5 minutes after welding has stopped, and the power source switches to energy-saving mode. The fans start again when welding restarts.

6.6 Symbols and functions

	Location of lifting eye	VRD	Voltage Reducing Device
	Overheating protection	Basic	Basic electrode
Rutile	Rutile electrode	Cel	Cellulosic electrode
	Arc force		Inductance

	TIG welding (Live TIG)		Arc air gouging
	MMA welding		MIG/MAG welding
 Mobile Feed CV	Wire feed unit Mobile feed CV (Constant voltage)		Protective ground

Voltage reducing device (VRD)

The VRD function ensures that the open-circuit voltage does not exceed 35 V when welding is not being carried out. This is indicated by a lit VRD led.

The VRD function is blocked when the system detects that welding has started.

Contact an authorized ESAB service technician to activate the function.

Overheating protection

The welding power source has overheating protection that trips if the temperature becomes too high. When this occurs, the welding current is interrupted and an overheating indication lamp is lit.

The overheating protection resets automatically when the temperature has fallen back to the normal working temperature range.

Arc force

The arc force is important in determining how the current changes in response to a change in the arc length. A lower value gives a calmer arc with less spatter.

This only applies to SMAW welding.

Inductance

Higher inductance results in a wider weld pool and less spatter. Lower inductance produces a harsher sound, but a stable, concentrated arc.

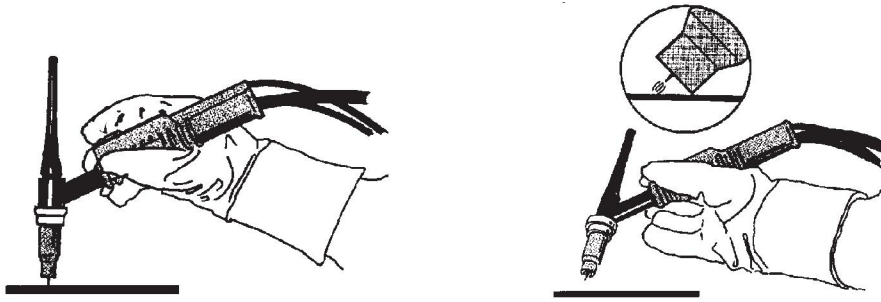
This only applies to GMAW welding.

GTAW welding

GTAW welding melts the metal of the workpiece, using an arc struck from a tungsten electrode that does not itself melt. The weld pool and the electrode are protected by shielding gas.

"Live TIG-start"

At a "Live TIG-start", the tungsten electrode is placed against the workpiece. When the electrode is lifted away from workpiece, the arc is struck at a limited current level.



For GTAW welding, the welding power source must be supplemented with:

- a TIG torch with gas valve
- an argon gas cylinder
- an argon gas regulator
- tungsten electrode

Arc air gouging

For arc air gouging, a special electrode comprising a carbon rod with a copper casing is used.

An arc is formed between the carbon rod and the workpiece, which melts the material. Compressed air is supplied, so the melted material is blown away.

For arc air gouging the power source must be supplemented with:

- arc air torches
- compressed air
- return cable with clamp

Table 2. Recommended for gouging

Electrode	Voltage min.	Voltage max.	Electrode Extension
6 mm (1/4")	36 V	49 V	50 - 76 mm (2 - 3")
8 mm (5/16")	39 V	52 V	
10 mm (3/8")	43 V	52 V	

SMAW welding

SMAW welding may also be referred to as welding with coated electrodes. Striking the arc melts the electrode, and its coating forms protective slag.

For SMAW welding, the power source must be supplemented with:

- welding cable with electrode holder
- return cable with clamp

GMAW and self-shielded cored wire welding

An arc melts a wire that is fed continuously. The weld pool is protected by shielding gas.

For GMAW and self-shielded core wire welding, the power source must be supplemented with:

- wire feed unit
- welding torch
- connection cable between the power source and wire feed unit
- gas cylinder
- return cable with clamp

7 MAINTENANCE

7.1 Overview

Regular maintenance is important for safe, reliable operation.

Only personnel with appropriate electrical skills (authorized staff) may remove safety plates.



CAUTION!

All warranty undertakings from the supplier cease to apply if the customer attempts any work to rectify any faults in the product during the warranty period.

7.2 Power source

Check regularly that the welding power source is not clogged with dirt.

How often and which cleaning methods apply depend on:

- the welding process
- the arc times
- the placement
- the surrounding environment

It is normally sufficient to blow down the power source using dry compressed air (reduced pressure) once a year.

Clogged or blocked air inlets and outlets will otherwise result in overheating.

7.3 Welding torch

A regular program of care and maintenance reduces unnecessary and expensive downtime.

Each time a wire bobbin is changed, the welding torch should be removed from the power source and blown clean using compressed air.

The wire end must not have sharp edges when inserted into the wire liner.

For detailed information, see the instruction manuals for welding torches.

8 TROUBLESHOOTING

Try these recommended checks and inspections before sending for an authorized service technician.

Type of fault	Corrective action
No arc.	<ul style="list-style-type: none"> • Check that the mains power supply switch is turned on. • Check that the mains, welding and return cables are correctly connected. • Check that the correct current value is set. • Check the mains power supply fuses.
The welding current is interrupted during welding.	<ul style="list-style-type: none"> • Check whether the overloading protection has tripped (indicated on the front). • Check the mains power supply fuses. • Check that the return cable is correctly fastened.
The overheating protection trips frequently.	<ul style="list-style-type: none"> • Make sure that you are not exceeding the rated data for the power source (i.e. that the unit is not being overloaded).
Poor welding performance.	<ul style="list-style-type: none"> • Check that the welding and return cables are correctly connected. • Check that the correct current value is set. • Check that the correct wire or electrode is used. • Check the mains power supply fuses. • Check the gas pressure in the equipment connected to the power source.
"Err" on display in open circuit mode	<ul style="list-style-type: none"> • Check the mains power supply fuses. • Check that the voltage on the voltage selection label, on the rear of the power source, is equal to the nominal mains voltage. • Restart the power source with the main switch.

9 ORDERING SPARE PARTS

*Repair and electrical work should be performed by an authorized ESAB service technician.
Use only ESAB original spare and wear parts.*




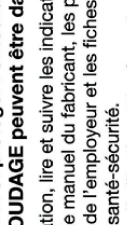
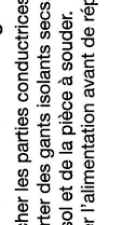
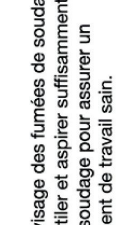


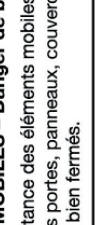
The Warrior 500i CC/CV is designed and tested in accordance with international standards IEC 60974-1, Canadian standards CAN/CSA-E60974-1:11 and US standards ANSI/IEC 60974-1:2008.

On completion of service or repair work, it is the responsibility of the person(s) performing the work to ensure that the product still complies with the requirements of the above standards.

When ordering spare parts, order by part number and part name, as documented in the spare parts list. Always provide the series or serial number on the unit in which the parts will be used. The serial number is stamped on the rating plate.

1	AVERTISSEMENT	22
2	SÉCURITÉ	23
3	INTRODUCTION	26
3.1	Aperçu	26
3.2	Équipement	26
4	CARACTÉRISTIQUES TECHNIQUES	27
5	INSTALLATION	29
5.1	Généralités	29
5.2	Instructions de levage	29
5.3	Emplacement	29
5.4	Alimentation secteur	30
6	FONCTIONNEMENT	33
6.1	Aperçu	33
6.2	Appareils de commande et connexions	33
6.3	Raccordement des câbles de soudage et de retour	34
6.4	Marche/Arrêt de l'alimentation secteur	34
6.5	Contrôle du ventilateur	34
6.6	Symboles et fonctions	34
7	ENTRETIEN	37
7.1	Aperçu	37
7.2	Générateur	37
7.3	Torche de soudage	37
8	DÉPANNAGE	38
9	COMMANDE DE PIÈCES DE RECHANGE	39
	DIAGRAMME	78
	RÉFÉRENCES POUR COMMANDE	79
	ACCESSOIRES	80

1 AVERTISSEMENT

 WARNING	 ADVERTENCIA	 AVERTISSEMENT
 <p>PROTECT yourself and others. ARC PROCESSES can be hazardous.</p> <ul style="list-style-type: none"> Before use, read and follow all labels, the manufacturer's instruction manual, employer's safety practices, and Material Safety Data Sheets (MSDSs). Only qualified persons are to install, use, or service this equipment. 	<p>PROTÉJASE y proteja a los demás. PROCESOS DE ARCO pueden ser peligrosos.</p> <ul style="list-style-type: none"> Antes de utilizarlo, lea y siga todas las etiquetas, el manual de instrucciones del fabricante, las prácticas de seguridad del empleador y las Hojas de datos de seguridad de los materiales (MSDS). Únicamente personal calificado puede instalar, utilizar o brindar servicio a este equipo. 	<p>SE PROTÉGER et protéger l'entourage ! ARCS DE SOUDAGE peuvent être dangereux.</p> <ul style="list-style-type: none"> Avant utilisation, lire et suivre les indications des étiquettes, le manuel du fabricant, les pratiques de sécurité de l'employeur et les fiches techniques santé-sécurité. L'installation, l'utilisation et la réparation sont réservées aux personnes qualifiées.
 <p>ELECTRIC SHOCK can kill.</p> <ul style="list-style-type: none"> Do not touch live electrical parts. Always wear dry insulating gloves. Insulate yourself from work and ground. Disconnect input power before servicing unit. 	<p>DESCARGAS ELÉCTRICAS pueden ser mortales.</p> <ul style="list-style-type: none"> No toque partes eléctricas energizadas. Utilice siempre guantes aislantes secos. Aísele del equipo con el que está trabajando y respecto de tierra. Antes de brindar servicio a la unidad, desconecte la entrada de alimentación. 	<p>DÉCHARGE ÉLECTRIQUE – Danger de mort.</p> <ul style="list-style-type: none"> Ne pas toucher les parties conductrices. Toujours porter des gants isolants secs. S'isoler du sol et de la pièce à souder. Déconnecter l'alimentation avant de réparer l'appareil.
 <p>FUMES AND GASES can be hazardous to your health.</p> <ul style="list-style-type: none"> Keep your head out of the fumes. Use enough ventilation, exhaust at the arc, or both to keep fumes and gases from your breathing zone and the general area. 	<p>HUMOS Y GASES pueden ser peligrosos para la salud.</p> <ul style="list-style-type: none"> Mantenga la cabeza alejada de los humos. Disponga una ventilación suficiente o una vía de salida en el arco, o ambas, para mantener humos y gases alejados de su zona de respiración y del área general. 	<p>FUMÉES ET GAZ peuvent être nocifs pour la santé.</p> <ul style="list-style-type: none"> Éloigner le visage des fumées de soudage. Veiller à ventiler et aspirer suffisamment les fumées de soudage pour assurer un environnement de travail sain.
 <p>SPARKS AND SPATTER can cause fire or explosion.</p> <ul style="list-style-type: none"> Do not use near flammable material. Do not use on closed containers. 	<p>CHISPAS Y SALPICADURAS pueden provocar incendios o explosiones.</p> <ul style="list-style-type: none"> No utilizar cerca de materiales inflamables. No utilizar en contenedores cerrados. 	<p>ÉTINCELLES ET PROJECTIONS peuvent causer un incendie ou une explosion.</p> <ul style="list-style-type: none"> Ne pas utiliser à proximité de matériaux inflammables. Ne pas utiliser sur des conteneurs clos.
 <p>ARC RAYS can injure eyes and burn skin. NOISE can damage hearing.</p> <ul style="list-style-type: none"> Wear correct eye, ear, and body protection. 	<p>RAYOS EMITIDOS POR LOS ARCOS ELÉCTRICOS pueden dañar los ojos y quemar la piel. RUIDOS FUERTES pueden dañar la audición.</p> <ul style="list-style-type: none"> Use la protección ocular, auditiva y corporal correcta. 	<p>RADIATIONS LUMINEUSES DE L'ARC – Danger pour les yeux et la peau. BRUITS FORTS – Danger pour l'ouïe.</p> <ul style="list-style-type: none"> Bien protéger le corps, les yeux et les oreilles.
 <p>MOVING PARTS can injure.</p> <ul style="list-style-type: none"> Keep away from moving parts. Keep all doors, panels, covers, and guards closed and securely in place. 	<p>PARTES MÓVILES pueden provocar lesiones.</p> <ul style="list-style-type: none"> Manténgase alejado de las partes móviles. Mantenga todas las puertas, cubiertas, protecciones y paneles cerrados y sujetos en su lugar. 	<p>ÉLÉMENTS MOBILES – Danger de blessure</p> <ul style="list-style-type: none"> Rester à distance des éléments mobiles. Maintenir les portes, panneaux, couvercles et protections bien fermés.
<p>DO NOT REMOVE, DESTROY OR COVER THIS LABEL</p>	<p>NO RETIRAR, DESTRUIR O CUBRIR ESTA ETIQUETA.</p>	<p>NE PAS RETIRER, DÉTRUIRE OU RECOUVRIR CETTE ÉTIQUETTE</p>

0465419002

2 SÉCURITÉ

Il incombe à l'utilisateur des équipements ESAB de prendre toutes les mesures nécessaires pour garantir la sécurité du personnel utilisant le système de soudage ou se trouvant à proximité. Les mesures de sécurité doivent répondre aux normes correspondant à ce type d'appareil. Le contenu de ces recommandations peut être considéré comme un complément aux règles de sécurité en vigueur sur le lieu de travail.

Toutes les opérations doivent être exécutées par du personnel spécialisé qui maîtrise le fonctionnement de l'équipement. Une utilisation incorrecte est susceptible de créer une situation anormale comportant un risque de blessure ou de dégât matériel.

1. Toute personne utilisant l'équipement devra bien connaître:
 - son utilisation
 - l'emplacement de l'arrêt d'urgence
 - son fonctionnement
 - les règles de sécurité en vigueur
 - les procédés de soudage, de découpe et autres opérations applicables à l'équipement
2. L'opérateur doit s'assurer:
 - que personne ne se trouve dans la zone de travail au moment de la mise en service de l'équipement.
 - que toutes les personnes à proximité de l'arc sont protégées dès l'amorçage de l'arc ou l'actionnement de l'équipement.
3. Le poste de travail doit être:
 - adapté aux besoins
 - à l'abri des courants d'air
4. Protection personnelle
 - Toujours utiliser l'équipement recommandé de protection personnelle, tel que lunettes, vêtements ignifuges, gants.
 - Ne pas porter de vêtements trop larges ni de ceinture, bracelet, etc. pouvant s'accrocher en cours d'opération ou occasionner des brûlures.
5. Divers:
 - S'assurer que les câbles sont bien raccordés.
 - Seul un électricien qualifié **est habilité à intervenir sur les équipements haute tension** .
 - Un équipement de lutte contre l'incendie doit se trouver à proximité et être clairement signalé.
 - Ne **pas** effectuer de graissage ou d'entretien pendant le soudage.



ATTENTION!

Le soudage à l'arc et la découpe sont sources de danger pour vous-même et votre entourage. Prendre les précautions nécessaires pendant le soudage et la découpe. Observer les règles de sécurité de votre employeur, qui doivent être basées sur les recommandations du fabricant.

DÉCHARGE ÉLECTRIQUE - Danger de mort

- Installer l'équipement et assurer sa mise à la terre conformément aux normes en vigueur.
- Ne pas toucher les parties conductrices, ni les électrodes à mains nues ou avec des gants/vêtements humides.
- Porter une tenue isolante et isoler la zone de travail.
- S'assurer de travailler dans une position sûre.

FUMÉES ET GAZ - Nocifs

- Éloigner le visage des fumées de soudage.
- Ventiler et/ou aspirer les fumées de soudage pour assurer un environnement de travail sain.

RAYONS DE L'ARC – Danger pour les yeux et la peau.

- Se protéger les yeux et la peau. Utiliser un écran de soudage et porter des gants et vêtements de protection.
- Protéger les personnes voisines par des rideaux ou écrans protecteurs.

RISQUE D'INCENDIE

- Les étincelles peuvent provoquer un incendie. S'assurer qu'aucun objet inflammable ne se trouve à proximité.

BRUIT - Le niveau élevé de bruit peut réduire les facultés auditives.

- Utiliser un protecteur d'oreilles ou toute protection auditive similaire. Utiliser un protecteur d'oreilles ou toute protection auditive similaire.
- Avertir du danger les personnes se trouvant à proximité.

EN CAS DE MAUVAIS FONCTIONNEMENT - Faire appel à un technicien qualifié.

**Lire attentivement le mode d'emploi avant d'installer et d'utiliser le matériel.
SE PROTÉGER ET PROTÉGER SON ENTOURAGE!**

RÉFÉRENCE À CAN/CSA-W117.2-06



ATTENTION!

Ne pas utiliser le générateur pour dégeler des canalisations.



PRUDENCE!

Lire attentivement le mode d'emploi avant d'installer et d'utiliser le matériel.



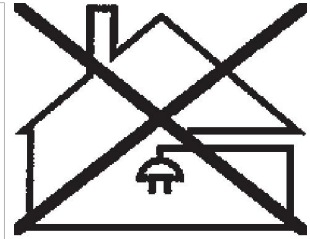
PRUDENCE!

Ce produit est exclusivement destiné au soudage à l'arc.



PRUDENCE!

Les équipements de classe A ne sont pas conçus pour un usage résidentiel avec une alimentation secteur à basse tension. Dans ces lieux, garantir la compatibilité électromagnétique des équipements de classe A devient difficile, dû à des perturbations par conduction et par rayonnement.



ESAB fournit tous les accessoires et équipements de protection nécessaires pour le soudage.

3 INTRODUCTION

3.1 Aperçu

Le **Warrior 500i CC/CV** est un générateur de soudage conçu pour le soudage GMAW, ainsi que le soudage à fil fourré (FCAW-S), le soudage GTAW, le soudage à électrodes enrobées (MMA) et le gougeage arc-air.

Ces générateurs sont conçus pour les unités avec dévidoir de fil suivantes :

- Dévidoir Warrior Feed 304
- Dévidoir Warrior Feed 304w

Les accessoires ESAB correspondant à ce produit sont répertoriés au chapitre « Accessoires » de ce manuel.

3.2 Équipement

Le générateur est fourni avec :

- un câble de retour de 5 m avec pince de mise à la terre
- un mode d'emploi

4 CARACTÉRISTIQUES TECHNIQUES

Warrior 500i CC/CV	
Tension d'alimentation secteur	380 V; 440 V; 460 V; 575 V $\pm 10\%$, triphasée, 50/60 Hz
Courant primaire I_{\max} . GMAW - MIG	38 A
I_{\max} . GTAW - TIG	31 A
I_{\max} . SMAW - MMA	38 A
Puissance à vide utilisée en mode d'économie d'énergie, 6,5 min. après soudage	40 W
Plage de réglages GMAW - MIG tension constante	16 A/15 V-500 A/39 V
GTAW - TIG tension variable	5 A/10 V - 500 A/30 V
SMAW - MMA tension variable	16 A/20 V - 500 A/40 V
Charge maximale admissible avec Facteur de marche 60 %	500 A/39 V
Facteur de marche 100 %	400 A/34 V
Charge maximale admissible avec GTAW Facteur de marche 60 %	500 A/30 V
Facteur de marche 100 %	400 A/26 V
Charge maximale admissible avec SMAW Facteur de marche 60 %	500 A/40 V
Facteur de marche 100 %	400 A/36 V
Facteur de puissance au courant maximum GMAW	0,87
GTAW	0,83
SMAW	0,87
Rendement au courant maximum GMAW	90%
GTAW	88 %
SMAW	90%
Types d'électrode	Basique Rutile Cellulosique
Tension de circuit ouvert sans fonction VRD	84 V CC
Puissance apparente au courant maximum	31,7 kVA
Puissance active au courant maximum	22,6 kW
Température de fonctionnement	-50 to 104°F (-10 to 40°C)
Températures de transport	-68 to 131°F (-20 to 55°C)
Pression acoustique constante au ralenti	<70 db (A)

Warrior 500i CC/CV	
Dimensions, L x l x h	28,1 x 12,8 x 18,5 po 712 x 325 x 470 mm
Poids (générateur de soudage)	115.7 lb (52,5 kg)
Classe d'isolation	H
Classe de protection	IP 23
Classe d'application	S

Facteur de marche

Le facteur de marche correspond au pourcentage d'une période de 10 minutes pendant laquelle le soudage ou la découpe est possible à une certaine charge sans provoquer de surcharge. Le facteur de marche est valable à 104°F (40 C).

Classe de protection

Le code **IP** correspond à la classe de protection, c'est-à-dire au niveau d'étanchéité à l'eau ou à d'autres éléments.

Les équipements portant l'indication **IP23** sont conçus pour un usage intérieur et extérieur.

Classe d'application

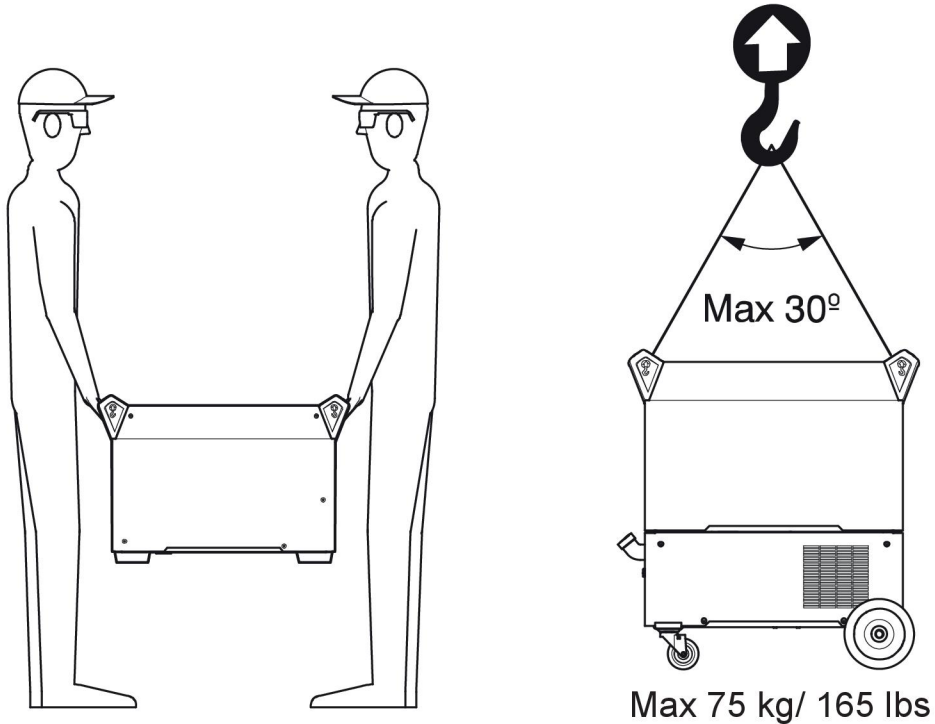
Le symbole S indique que le poste de soudage est conçu pour des utilisations dans les zones présentant un risque électrique élevé.

5 INSTALLATION

5.1 Généralités

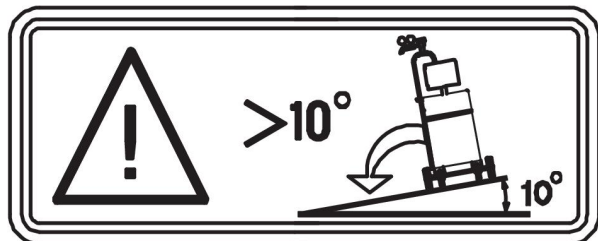
L'installation doit être confiée à un professionnel.

5.2 Instructions de levage



ATTENTION!

Fixer l'équipement, surtout lorsque le sol est inégal ou en pente.



5.3 Emplacement

Placer le générateur de soudage de telle manière que les tuyères d'entrée et de sortie de l'air de refroidissement ne soient pas obstruées.

5.4 Alimentation secteur

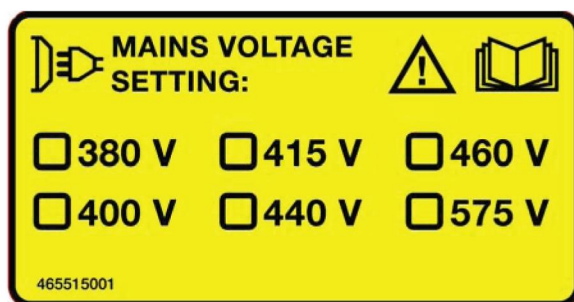


REMARQUE !

Exigences relatives à l'alimentation secteur

Étant donnée l'intensité du courant primaire fourni par l'alimentation secteur, les équipements haute puissance sont susceptibles d'avoir un impact sur la qualité de la puissance du réseau. C'est pourquoi, pour certains types d'équipements (voir les caractéristiques techniques), des restrictions ou exigences relatives à l'impédance maximale admissible ou à la puissance d'alimentation minimale requise peuvent être appliquées au point d'interface avec le réseau public. Dans ce cas, il incombe à l'installateur ou à l'utilisateur de vérifier auprès du gestionnaire de réseau de distribution si l'équipement peut être raccordé.

Vérifier que le générateur de soudage est raccordé à la tension d'alimentation correcte et que l'installation est protégée par un fusible adéquat. L'installation doit être reliée à la terre, conformément aux réglementations en vigueur.



Rating plate with supply connection data

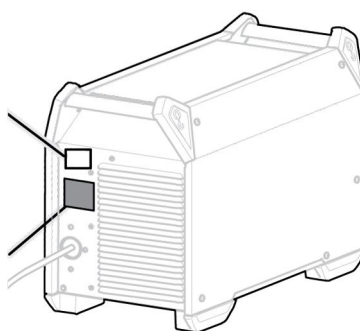


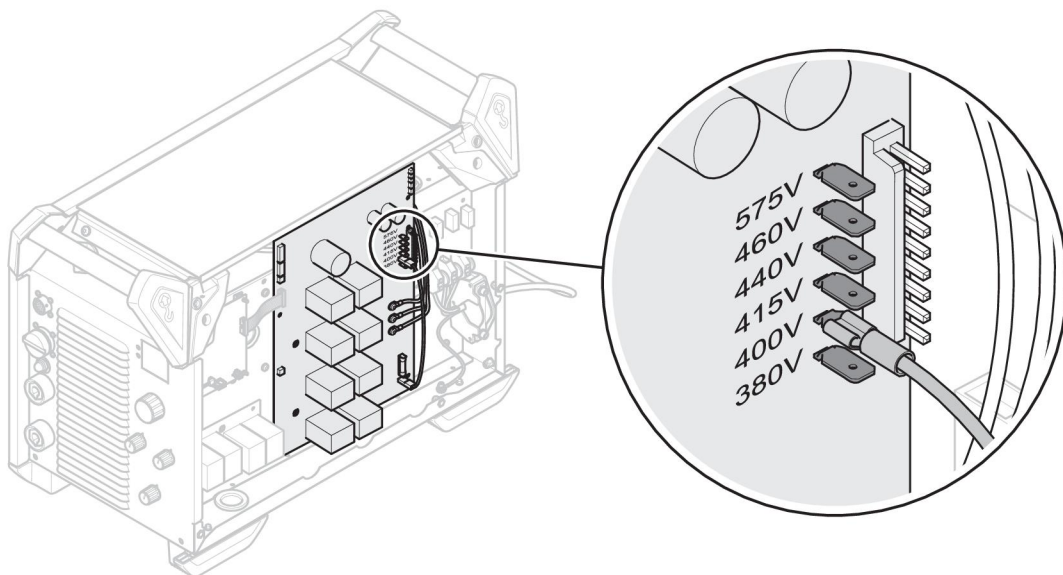
Tableau 3. Recommandations pour les calibres de fusibles et les sections minimales de câbles du Warrior 500i CC/CV

Warrior 500i CC/CV		
Tension d'alimentation secteur	380 V, triphasée, 50/60 Hz	440 V, triphasée, 50/60 Hz
Section des câbles d'alimentation	4C 8Awg / 4G 6mm ²	4C 8Awg / 4G 6mm ²
Courant de phase, I_{eff}	30A	28A
Fusible		
Régularisateur		
Mini-coupe-circuit (MCB) de type C	35A 32A	35A 32A
Warrior 500i CC/CV		
Tension d'alimentation secteur	460 V, triphasée, 50/60 Hz	575 V, triphasée, 50/60 Hz
Section des câbles d'alimentation	4C 8Awg / 4G 6mm ²	4C 8Awg / 4G 6mm ²

Warrior 500i CC/CV		
Courant de phase, I_{eff}	28A	24A
Fusible		
Régularisateur		
Mini-coupe-circuit (MCB) de type C	35A	25A
	32A	25A

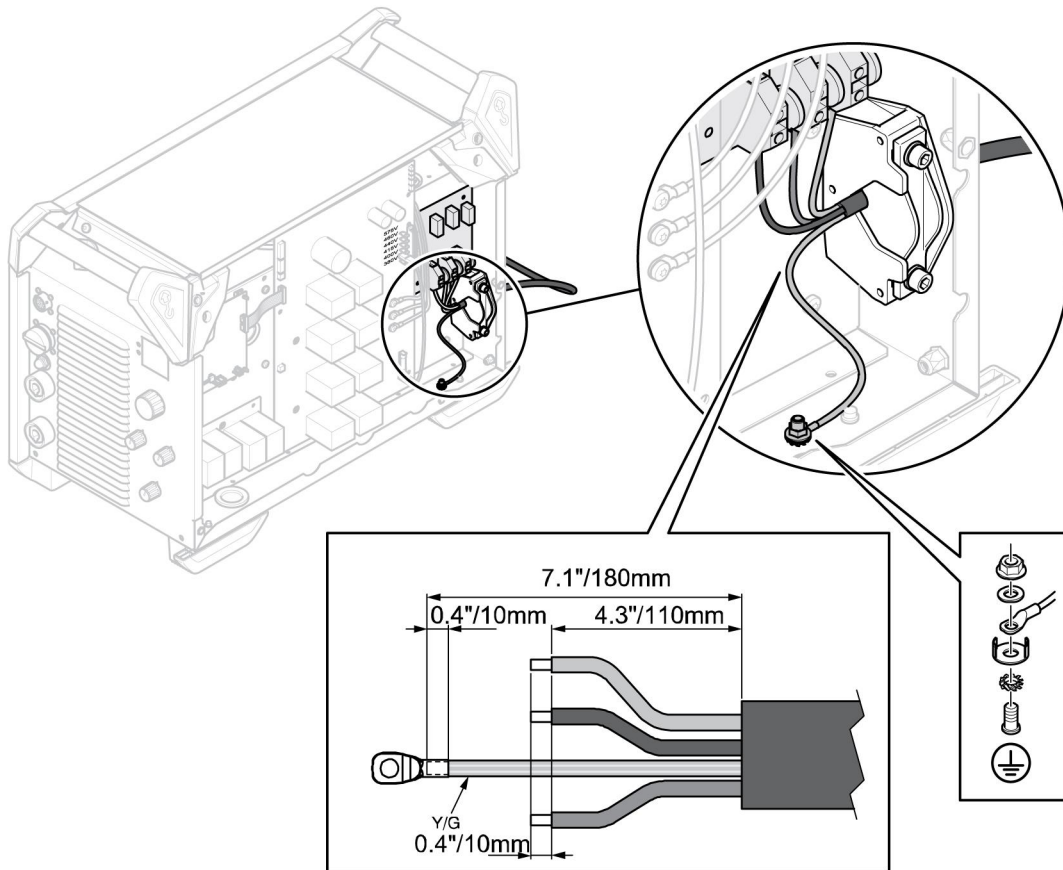
**REMARQUE !**

La section des câbles secteur et les calibres de fusibles mentionnés ci-dessus sont conformes aux normes suédoises. Veiller à utiliser le générateur dans le respect des normes locales en vigueur.

Instructions de connexion

Le générateur est connecté par défaut en usine à 460V. Si une tension d'alimentation secteur différente est nécessaire, le câble du circuit imprimé doit être déplacé et raccordé à la broche adéquate. Voir le schéma ci-dessus. Cette opération doit être exécutée par des électricien agréés.

Installation du câble d'alimentation

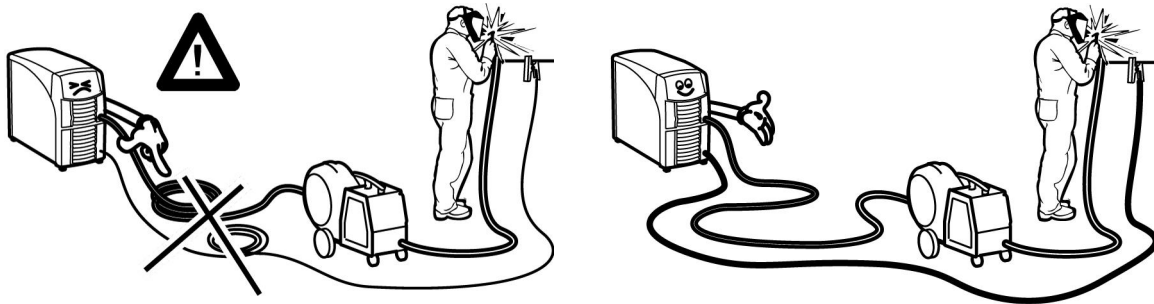


Il faut installer un câble d'alimentation. Il est important de relier la plaque inférieure à la terre de manière adéquate. Consultez le schéma ci-dessus pour connaître l'ordre dans lequel les rondelles, écrous et vis doivent être disposés.

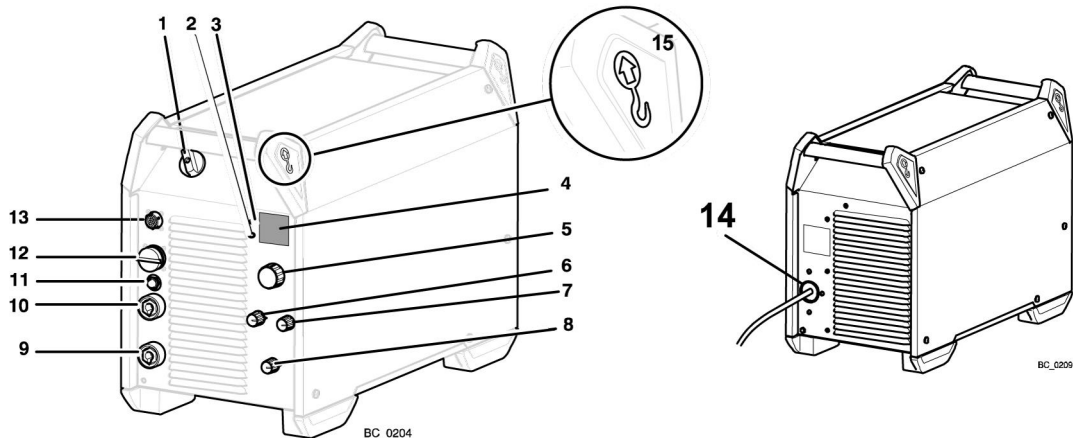
6 FONCTIONNEMENT

6.1 Aperçu

Les règles de sécurité générale relatives à la manipulation de l'équipement sont indiquées dans le chapitre « Sécurité ». Lire ce chapitre de A à Z avant de démarrer l'équipement !



6.2 Appareils de commande et connexions



- | | |
|---|---|
| <ol style="list-style-type: none"> 1. Interrupteur Marche/Arrêt de la tension d'alimentation secteur 2. Témoin lumineux, jaune, surchauffe 3. Témoin lumineux, vert, fonction VRD (tension réduite en circuit ouvert) 4. Affichage, intensité (A) et tension (V) 5. Bouton de réglage : SMAW/GTAW : Intensité (A) 6. Bouton de sélection du type d'électrode 7. Bouton d'inductance (MIG/MAG) et d'intensité de l'arc (MMA) : 8. Bouton de sélection de la méthode de soudage | <ol style="list-style-type: none"> 9. Connexion (-) : MIG/MAG : Câble de retour TIG : Torche de soudage MMA : Câble de retour ou de soudage 10. Connexion (+) : MIG/MAG : Câble de soudage TIG : Câble de retour MMA : Câble de soudage ou de retour 11. Disjoncteur, 10 A, 42 V 12. Connecteur du dévidoir à fils 13. Connecteur de l'unité de commande à distance (option) 14. Connecteur de l'alimentation secteur 15. Boulon de l'anneau de levage |
|---|---|

6.3 Raccordement des câbles de soudage et de retour

Le générateur possède deux sorties : une borne positive (+) et une borne négative (-), permettant de connecter les câbles de soudage et de retour. La sortie sur laquelle est connecté le câble de soudage dépend de la méthode de soudage ou du type d'électrode.

Connecter le câble de retour sur l'autre borne du générateur. Fixer la pince du câble de retour sur la pièce à travailler en veillant à ce qu'il y ait un bon contact entre la pièce et la sortie du câble de retour sur le générateur.

Pour le soudage SMAW, le câble de soudage peut être connecté à la borne positive (+) ou négative (-) selon le type d'électrode utilisée. La polarité de connexion figure sur l'emballage de l'électrode.

6.4 Marche/Arrêt de l'alimentation secteur

Pour allumer l'alimentation secteur, tourner le commutateur sur la position « I » (voir 1 sur l'illustration ci-dessus).

Pour mettre l'unité hors tension, tourner le commutateur sur la position « O ».

Que l'alimentation secteur ait été arrêtée normalement ou par une interruption de courant, les données de soudage sont conservées pour une utilisation ultérieure.







PRUDENCE!







Ne pas arrêter le générateur durant le soudage (en charge).

6.5 Contrôle du ventilateur

Les ventilateurs du générateur sont connectés à une minuterie et continuent à fonctionner pendant 6,5 minutes après l'arrêt du soudage, avant que l'unité ne passe en mode d'économie d'énergie. Les ventilateurs redémarrent à la reprise du soudage.

6.6 Symboles et fonctions

	Emplacement de l'anneau de levage	VRD	Réducteur de tension
	Protection anti-surchauffe	Basic	Électrode de base
Rutile	Électrode rutile	Cel	Électrode cellulosique
	Intensité de l'arc		Inductance

	Soudage TIG (Live TIG)		Gougeage arc-air
	Soudage MMA		Soudage MIG/MAG
 Mobile Feed CV	Dévidoir Mobile Feed CV (tension continue)		Mise à la terre de protection

Réducteur de tension (VRD - Voltage Reducing Device)

La fonction VRD veille à ce que la tension en circuit ouvert ne dépasse pas les 35 V lorsqu'aucun soudage n'est en cours. La diode VRD s'allume pour l'indiquer.

La fonction VRD est bloquée lorsque le système détecte que le soudage a commencé.

Contactez un technicien agréé ESAB pour activer cette fonction.

Protection anti-surchauffe

Le générateur est pourvu d'une protection anti-surchauffe qui se déclenche quand la température est trop élevée. Dans ce cas, le courant de soudage est interrompu et le témoin lumineux de surchauffe s'allume.

La protection reprend automatiquement son état initial lorsque la température est redescendue dans la plage de températures de fonctionnement normale.

Intensité de l'arc

La fonction Intensité de l'arc détermine les variations de courant en réponse à une modification de la longueur de l'arc. Une valeur basse produit un arc plus faible avec moins de projections.

S'applique uniquement au soudage SMAW.

Inductance

Plus l'inductance est élevée, plus le bain de fusion est large et les étincelles sont réduites. Un niveau d'inductance bas produit un son plus aigu, mais l'arc qui en résulte est stable et concentré.

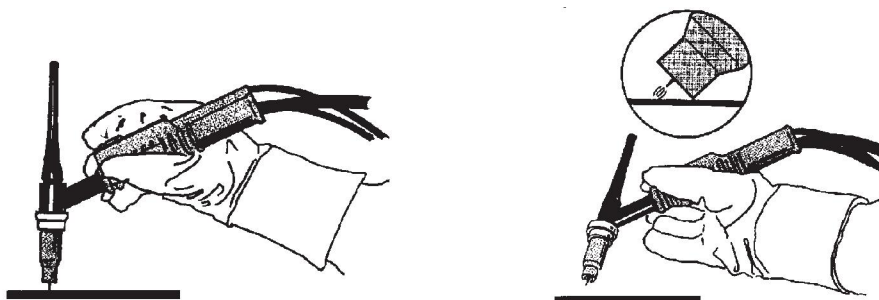
S'applique uniquement au soudage GMAW.

Soudage GTAW

Le soudage GTAW fait fondre le métal de la pièce à souder au moyen d'un arc amorcé par une électrode à tungstène qui ne fond pas. Le bain de fusion et l'électrode sont protégés par du gaz inerte.

« Live TIG-start »

Pour un « Live TIG-start », l'électrode tungstène est mise en contact avec la tôle. L'arc se déclenche à un niveau d'intensité limité au moment où l'électrode est écartée.



Pour le soudage GTAW, le générateur sera livré avec :

- une torche TIG avec robinet de gaz
- une bouteille de gaz argon
- un régulateur de gaz argon
- une électrode au tungstène

Gougeage arc-air

Le gougeage arc-air repose sur une électrode spéciale composée d'une tige en carbone et d'une gaine en cuivre.

Un arc se forme entre la tige carbone et la pièce à souder, ce qui fait fondre le matériau. Un jet d'air comprimé évacue le matériau en fusion.

Pour le gougeage arc-air, le générateur sera livré avec :

- des torches arc-air
- de l'air comprimé
- un câble de retour avec pince

Tableau 4. Recommandé pour le gougeage

Électrode	Tension min.	Tension max.	Longueur libre de l'électrode
6 mm (1/4")	36 V	49 V	50-76 mm (2-3")
8 mm (5/16")	39 V	52 V	
10 mm (3/8")	43 V	52 V	

Soudage SMAW

Le soudage SMAW est également appelé « soudage à électrode enrobée ». L'arc fait fondre l'électrode et son enrobage forme un laitier protecteur.

Pour le soudage SMAW, le générateur sera livré avec :

- un câble de soudage avec pince à électrode
- un câble de retour avec pince

des fils de soudage GMAW et fourrés auto-protégés

Un arc fait fondre le fil alimenté en continu. Le bain de soudage est protégé par un gaz inerte.

Pour le soudage GMAW avec un fil fourré auto-protégé, le générateur sera livré avec :

- un dévidoir
- une torche de soudage
- un câble de connexion entre le générateur et le dévidoir
- une bouteille de gaz
- un câble de retour avec pince

7 ENTRETIEN

7.1 Aperçu

Un entretien régulier garantit la sécurité et la fiabilité du matériel.

Seul du personnel possédant les connaissances électriques appropriées (personnel autorisé) est habilité à retirer les plaques de sécurité.



PRUDENCE!

Toute promesse de garantie de la part du fournisseur cesse d'être applicable si le client tente la moindre action pour réparer lui-même un défaut du produit durant la période de garantie.

7.2 Générateur

Vérifier régulièrement si le générateur n'est pas encrassé.

La fréquence et la méthode de nettoyage dépendent :

- du procédé de soudage
- de la durée des arcs
- de l'endroit
- du cadre de travail

En général, il suffit de nettoyer le générateur à l'air comprimé sec (à pression réduite) une fois par an.

Lorsque les entrées et sorties d'air sont bloquées ou bouchées, l'équipement peut surchauffer.

7.3 Torche de soudage

Des entretiens réguliers permettent d'éviter les arrêts de travail inutiles et coûteux.

À chaque remplacement d'une bobine de fil, déconnecter la torche de soudage du générateur et la nettoyer à l'air comprimé.

L'extrémité du fil ne doit présenter aucun bord tranchant lorsqu'elle est insérée dans la gaine de guidage de fils.

Pour plus d'informations, voir les manuels d'instructions des torches de soudage.

8 DÉPANNAGE

Procéder aux vérifications et contrôles recommandés suivants avant de faire appel au service technique agréé.

Type d'erreur	Action corrective
Pas d'arc	<ul style="list-style-type: none"> • Vérifier que l'alimentation secteur est sous tension. • Vérifier la connexion correcte des câbles secteur, de soudage et de retour. • Vérifier le réglage de la tension. • Vérifier les fusibles de l'alimentation secteur.
Le courant de soudage s'interrompt pendant le travail.	<ul style="list-style-type: none"> • Vérifier l'état des fusibles (indiqué à l'avant). • Vérifier les fusibles de l'alimentation secteur. • Vérifier que le câble de retour indiqué est correctement branché.
La protection anti-surchauffe se déclenche fréquemment.	<ul style="list-style-type: none"> • Vérifier que la puissance nominale du générateur n'est pas dépassée (c.à.d. que l'appareil n'est pas en surcharge).
Soudage médiocre.	<ul style="list-style-type: none"> • Vérifier la connexion des câbles de soudage et de retour. • Vérifier le réglage de la tension. • Vérifier si le fil ou l'électrode utilisé(e) est approprié(e). • Vérifier les fusibles de l'alimentation secteur. • Vérifier la pression du gaz dans l'équipement connecté au générateur.
Message « Err » affiché à l'écran en mode Circuit ouvert	<ul style="list-style-type: none"> • Vérifier les fusibles de l'alimentation secteur. • Vérifier que la tension sur l'étiquette de sélection de la tension située à l'arrière du générateur est égale à la tension secteur nominale. • Redémarrer l'alimentation secteur du générateur.

9 COMMANDE DE PIÈCES DE RECHANGE

Les interventions électriques et les travaux de réparation doivent être confiés à un technicien spécialisé ESAB agréé. Utiliser exclusivement des pièces de rechange et pièces d'usure ESAB d'origine.




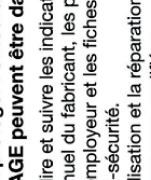
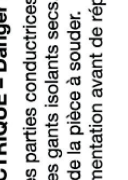
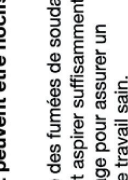
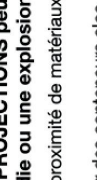

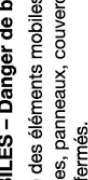
Le dévidoir Warrior 500i CC/CV est conçu et testé conformément à la norme internationale CEI 60974-1, à la norme canadienne CAN/CSA-E60974-1:11 et à la norme US ANSI/IEC 60974-1:2008.

Lors de l'entretien ou de réparations, il est de la responsabilité de la ou des personnes effectuant l'opération de vérifier que le produit est toujours conforme aux exigences des normes susmentionnées.

Lors de toute commande de pièces de rechange, mentionner la référence et la désignation, en vous reportant à la liste des pièces détachées. Toujours renseigner la série ou le numéro de série de l'unité sur laquelle l'élément doit être installé. Le numéro de série est gravé sur la plaquette signalétique.

1	ADVERTENCIAS	41
2	SEGURIDAD	42
3	INTRODUCCIÓN	45
	3.1 Información general	45
	3.2 Equipo	45
4	CARACTERÍSTICAS TÉCNICAS	46
5	INSTALACIÓN	48
	5.1 General	48
	5.2 Instrucciones para el izado	48
	5.3 Ubicación	48
	5.4 Alimentación eléctrica	49
6	FUNCIONAMIENTO	51
	6.1 Información general	51
	6.2 Conexiones y dispositivos de control	51
	6.3 Conexión de los cables de soldadura y de retorno	52
	6.4 Encendido/apagado de la alimentación eléctrica	52
	6.5 Control del ventilador	52
	6.6 Símbolos y funciones	52
7	MANTENIMIENTO	56
	7.1 Información general	56
	7.2 Fuente de alimentación	56
	7.3 Soplete de soldadora	56
8	SOLUCIÓN DE PROBLEMAS	57
9	PEDIDOS DE REPUESTOS	58
	DIAGRAMA	78
	NÚMEROS DE PEDIDOS	79
	ACCESORIOS	80

1 ADVERTENCIAS

 WARNING	 ADVERTENCIA	 AVERTISSEMENT
 <p>PROTECT yourself and others. ARC PROCESSES can be hazardous.</p> <ul style="list-style-type: none"> Before use, read and follow all labels, the manufacturer's instruction manual, employer's safety practices, and Material Safety Data Sheets (MSDSs). Only qualified persons are to install, use, or service this equipment. 	<p>PROTÉJASE y proteja a los demás. PROCESOS DE ARCO pueden ser peligrosos.</p> <ul style="list-style-type: none"> Antes de utilizarlo, lea y siga todas las etiquetas, el manual de instrucciones del fabricante, las prácticas de seguridad del empleador y las Hojas de datos de seguridad de los materiales (MSDS). Únicamente personal calificado puede instalar, utilizar o brindar servicio a este equipo. 	<p>SE PROTÉGER et protéger l'entourage ! ARCS DE SOUDAGE peuvent être dangereux.</p> <ul style="list-style-type: none"> Avant utilisation, lire et suivre les indications des étiquettes, le manuel du fabricant, les pratiques de sécurité de l'employeur et les fiches techniques santé-sécurité. L'installation, l'utilisation et la réparation sont réservées aux personnes qualifiées.
 <p>ELECTRIC SHOCK can kill.</p> <ul style="list-style-type: none"> Do not touch live electrical parts. Always wear dry insulating gloves. Insulate yourself from work and ground. Disconnect input power before servicing unit. 	<p>DESCARGAS ELÉCTRICAS pueden ser mortales.</p> <ul style="list-style-type: none"> No toque partes eléctricas energizadas. Utilice siempre guantes aislantes secos. Aísele del equipo con el que está trabajando y respecto de tierra. Antes de brindar servicio a la unidad, desconecte la entrada de alimentación. 	<p>DÉCHARGE ÉLECTRIQUE – Danger de mort.</p> <ul style="list-style-type: none"> Ne pas toucher les parties conductrices. Toujours porter des gants isolants secs. S'isoler du sol et de la pièce à souder. Déconnecter l'alimentation avant de réparer l'appareil.
 <p>FUMES AND GASES can be hazardous to your health.</p> <ul style="list-style-type: none"> Keep your head out of the fumes. Use enough ventilation, exhaust at the arc, or both to keep fumes and gases from your breathing zone and the general area. 	<p>HUMOS Y GASES pueden ser peligrosos para la salud.</p> <ul style="list-style-type: none"> Mantenga la cabeza alejada de los humos. Disponga una ventilación suficiente o una vía de salida en el arco, o ambas, para mantener humos y gases alejados de su zona de respiración y del área general. 	<p>FUMÉES ET GAZ peuvent être nocifs pour la santé.</p> <ul style="list-style-type: none"> Éloigner le visage des fumées de soudage. Veiller à ventiler et aspirer suffisamment les fumées de soudage pour assurer un environnement de travail sain.
 <p>SPARKS AND SPATTER can cause fire or explosion.</p> <ul style="list-style-type: none"> Do not use near flammable material. Do not use on closed containers. 	<p>CHISPAS Y SALPICADURAS pueden provocar incendios o explosiones.</p> <ul style="list-style-type: none"> No utilizar cerca de materiales inflamables. No utilizar en contenedores cerrados. 	<p>ÉTINCELLES ET PROJECTIONS peuvent causer un incendie ou une explosion.</p> <ul style="list-style-type: none"> Ne pas utiliser à proximité de matériaux inflammables. Ne pas utiliser sur des conteneurs clos.
 <p>ARC RAYS can injure eyes and burn skin. NOISE can damage hearing.</p> <ul style="list-style-type: none"> Wear correct eye, ear, and body protection. 	<p>RAYOS EMITIDOS POR LOS ARCOS ELÉCTRICOS pueden dañar los ojos y quemar la piel. RUIDOS FUERTES pueden dañar la audición.</p> <ul style="list-style-type: none"> Use la protección ocular, auditiva y corporal correcta. 	<p>RADIATIONS LUMINEUSES DE L'ARC – Danger pour les yeux et la peau. BRUITS FORTS – Danger pour l'ouïe.</p> <ul style="list-style-type: none"> Bien protéger le corps, les yeux et les oreilles.
 <p>MOVING PARTS can injure.</p> <ul style="list-style-type: none"> Keep away from moving parts. Keep all doors, panels, covers, and guards closed and securely in place. 	<p>PARTES MÓVILES pueden provocar lesiones.</p> <ul style="list-style-type: none"> Manténgase alejado de las partes móviles. Mantenga todas las puertas, cubiertas, protecciones y paneles cerrados y sujetos en su lugar. 	<p>ÉLÉMENTS MOBILES – Danger de blessure</p> <ul style="list-style-type: none"> Rester à distance des éléments mobiles. Maintenir les portes, panneaux, couvercles et protections bien fermés.
<p>DO NOT REMOVE, DESTROY OR COVER THIS LABEL</p>	<p>NO RETIRAR, DESTRUIR O CUBRIR ESTA ETIQUETA.</p>	<p>NE PAS RETIRER, DÉTRUIRE OU RECOUVRIR CETTE ÉTIQUETTE</p>

0465419002

2 SEGURIDAD

Los usuarios del equipo ESAB tienen la absoluta responsabilidad de garantizar que toda persona que trabaje con el equipo o cerca de este respete todas las precauciones de seguridad correspondientes. Las precauciones de seguridad deben cumplir con los requisitos que se aplican a este tipo de equipo. Se deben tener en cuenta las siguientes recomendaciones, además de las regulaciones estándar que se aplican en el lugar de trabajo.

Todo trabajo debe ser realizado por personal capacitado que esté familiarizado con la operación del equipo. La operación incorrecta del equipo podría generar situaciones peligrosas que pueden ocasionar lesiones al operador y daños al equipo.

1. Toda persona que utilice el equipo debe estar familiarizada con:
 - su operación
 - la ubicación de las paradas de emergencia
 - su función
 - las precauciones de seguridad correspondientes
 - las operaciones de soldadura y corte u otras operaciones aplicables del equipo
2. El operador debe garantizar que:
 - no haya ninguna persona no autorizada en el área de trabajo cuando se arranque el equipo
 - no haya ninguna persona sin protección cuando se golpee el arco o se inicie el trabajo con el equipo
3. El lugar de trabajo debe:
 - ser adecuado para la operación
 - estar libre de corrientes de aire
4. Equipo de seguridad personal:
 - Use siempre el equipo de seguridad personal recomendado, como gafas protectoras, prendas ignífugas y guantes de seguridad.
 - No use accesorios que suelen quedar holgados, como bufandas, pulseras, anillos, etc. que podrían quedar atrapados u ocasionar quemaduras.
5. Precauciones generales:
 - Asegúrese de que el cable de retorno esté bien conectado.
 - Los trabajos en el equipo de alta tensión **solo pueden ser realizados por un electricista calificado.**
 - El equipo extintor de incendios adecuado debe estar muy cerca y claramente marcado.
 - **No** se debe realizar la lubricación ni el mantenimiento del equipo durante la operación.

**¡ADVERTENCIA!**

El corte y la soldadura por arco pueden ser perjudiciales para usted y otras personas. Tome precauciones al soldar y cortar. Solicite a su empleador información sobre prácticas de seguridad, que deben estar basadas en los datos sobre riesgos proporcionados por el fabricante.

La DESCARGA ELÉCTRICA puede ser mortal.

- Instale y conecte a tierra la unidad de acuerdo con las normas aplicables.
- No toque las piezas eléctricas con tensión o electrodos con la piel, con guantes húmedos ni con la ropa húmeda.
- Utilice elementos aislantes.
- Asegúrese de que la postura para trabajar sea segura.

Los HUMOS Y GASES pueden ser peligrosos para su salud.

- Protéjase la cabeza de los humos.
- Utilice ventilación, extracción en el arco o ambas para expulsar los humos y gases de la zona de respiración y del área en general.

Los ARCOS ELÉCTRICOS pueden causar lesiones en los ojos y quemaduras en la piel.

- Protéjase los ojos y el cuerpo. Utilice la pantalla para soldar y las lentes filtradoras correctas y use vestimenta protectora.
- Proteja a las personas que se encuentran en el lugar utilizando pantallas o cortinas adecuadas.

PELIGRO DE INCENDIO

- Las chispas (salpicaduras) pueden causar incendios. Por lo tanto, asegúrese de que no haya materiales inflamables cerca.

RUIDO: el ruido excesivo puede dañar la audición.

- Protéjase los oídos. Utilice orejeras o alguna otra protección para los oídos.
- Advértales a las personas que se encuentran en el lugar sobre este riesgo.

FUNCIONAMIENTO INCORRECTO: llame al servicio de asistencia de expertos en caso de falla.

Asegúrese de leer y comprender el manual de instrucciones antes de instalar u operar el equipo.

¡PROTÉJASE Y PROTEJA A LAS OTRAS PERSONAS!

REFERENCIA A CAN/CSA-W117.2-06

**¡ADVERTENCIA!**

No utilice la fuente de alimentación para descongelar las tuberías congeladas.

**¡PRECAUCIÓN!**

Asegúrese de leer y comprender el manual de instrucciones antes de instalar u operar el equipo.





¡PRECAUCIÓN!

Este producto está destinado únicamente a la soldadura por arco.



¡PRECAUCIÓN!

Los equipos clase A no se pueden utilizar en residencias donde la energía eléctrica es suministrada por el sistema público de baja tensión. Podrían surgir algunas dificultades al garantizar la compatibilidad electromagnética de los equipos clase A en esas ubicaciones debido a las perturbaciones conducidas y radiadas.



ESAB puede suministrarle todos los accesorios de soldadura y protección necesarios.

3 INTRODUCCIÓN

3.1 Información general

El equipo Warrior 500i CC/CV es una fuente de alimentación de soldadura que se diseñó expresamente para soldadura GMAW, soldadura con hilo tubular lleno de polvo (FCAW-S), soldadura GTAW, soldadura con electrodos recubiertos (SMAW) y ranurado por arco de aire.

Las fuentes de alimentación se diseñaron para usar con las siguientes unidades de alimentación de hilo:

- Warrior Feed 304
- Warrior Feed 304w

Los accesorios de ESAB correspondientes al producto se detallan en el capítulo "ACCESORIOS" de este manual.

3.2 Equipo

La fuente de alimentación se suministra con:

- 5 m de cable de retorno con pinza a tierra
- manual de instrucciones

4 CARACTERÍSTICAS TÉCNICAS

Warrior 500i CC/CV	
Tensión de red	380 V; 440 V; 460 V; 575 V \pm 10%, 3~ 50/60 Hz
Corriente primaria	
$I_{m\acute{a}x.}$ GMAW - MIG	38 A
$I_{m\acute{a}x.}$ GTAW - TIG	31 A
$I_{m\acute{a}x.}$ SMAW - MMA	38 A
Sin carga en modo de ahorro de energía 6,5 mín. después de la soldadura	40 W
Rango de ajuste	
Característica plana de GMAW - MIG	16 A / 15 V-500 A / 39 V
Característica de inclinación de GTAW - TIG	5 A / 10 V-500 A / 30 V
Característica de inclinación de SMAW - MMA	16 A / 20 V-500 A / 40 V
Carga admisible en GMAW	
un factor de intermitencia del 60%	500 A/39 V
un factor de intermitencia del 100%	400 A/34 V
Carga admisible en GTAW	
un factor de intermitencia del 60%	500 A/30 V
un factor de intermitencia del 100%	400 A/26 V
Carga admisible en SMAW	
un factor de intermitencia del 60%	500 A/40 V
un factor de intermitencia del 100%	400 A/36 V
Factor de potencia con corriente máxima	
GMAW	0.87
GTAW	0.83
SMAW	0.87
Rendimiento con corriente máxima	
GMAW	90%
GTAW	88%
SMAW	90%
Tipos de electrodo	Básico Rutilo Celulósico
Voltaje de circuito abierto sin función VRD	84 V DC
Potencia aparente con corriente máxima	31,7 kVA
Potencia activa con corriente máxima	22,6 kW
Temperatura de funcionamiento	-50 a 104°F (-10 a 40°C)
Temperatura de transporte	-68 a 131°F (-20 a 55°C)
Presión acústica constante sin desplazamiento	<70 db (A)

Warrior 500i CC/CV	
Dimensiones (largo × ancho × alto)	28,1 x 12,8 x 18,5" (712 x 325 x 470 mm)
Peso (fuente de alimentación de soldadura)	115,7 libras (52,5 kg)
Clase aislante	H
Clase de protección de la carcasa	IP 23
Clase de aplicación	S

Factor de intermitencia

El factor de intermitencia define el tiempo como porcentaje de un período de diez minutos que puede soldar o cortar a una cierta carga sin sobrecarga. El factor de intermitencia es válido para una temperatura de 40 °C (104°F).

Clase de protección de la carcasa

El código **IP** indica la clase de protección de la carcasa (por ejemplo, el grado de protección contra la penetración de agua y objetos sólidos).

Los equipos de la clase **IP23** pueden utilizarse tanto en interiores como al aire libre.

Clase de aplicación

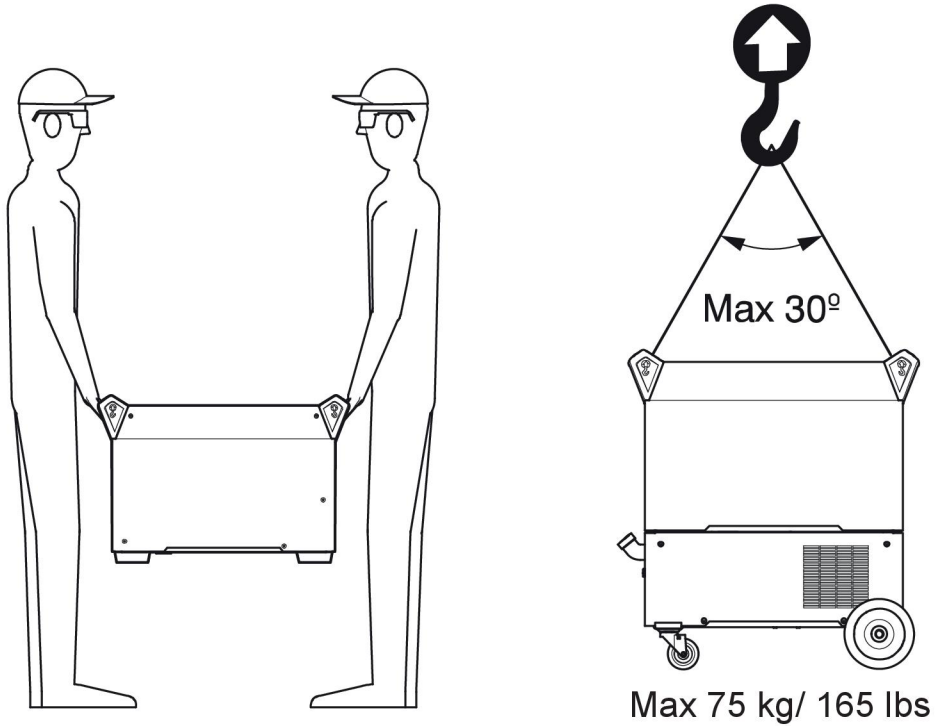
El símbolo **S** indica que la fuente de alimentación está diseñada para ser utilizada en áreas con mayor peligro eléctrico.

5 INSTALACIÓN

5.1 General

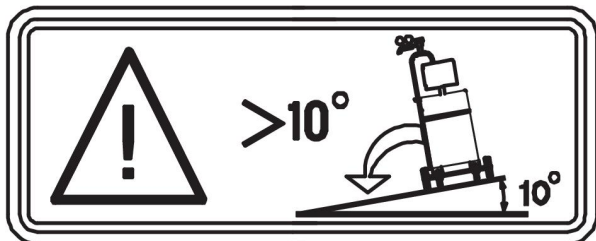
La instalación debe ser realizada por un profesional.

5.2 Instrucciones para el izado



¡ADVERTENCIA!

Sujete el equipo, en especial, si el suelo es desparejo o está inclinado.



5.3 Ubicación

Coloque la fuente de alimentación de soldadura de manera que las entradas y salidas del aire de refrigeración no estén obstruidas.

5.4 Alimentación eléctrica

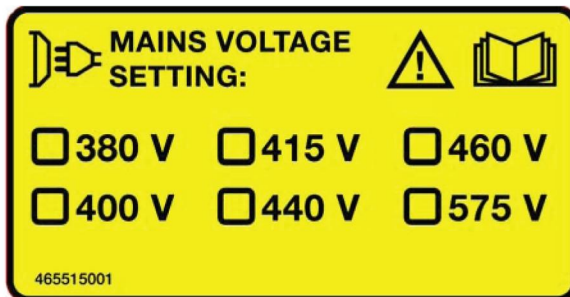


¡NOTA!

Requisitos de la alimentación eléctrica

Debido a la corriente primaria extraída de la alimentación eléctrica, los equipos de alta potencia podrían influir en la calidad de la energía de la red. Por lo tanto, las restricciones o los requisitos de conexión relacionados con la impedancia máxima permitida de la red o la capacidad de suministro mínima requerida en el punto de interfaz con la red pública se podrían aplicar para ciertos tipos de equipos (consulte los datos técnicos). En este caso, el instalador o usuario del equipo es responsable de garantizar que el equipo esté conectado, mediante una consulta al operador de la red de distribución si es necesario.

Compruebe que la fuente de alimentación de soldadura esté conectada a la tensión de alimentación correcta y que esté protegida por el valor nominal del fusible correcto. De acuerdo con la normativa, es necesario contar con una toma de tierra de protección.



Rating plate with supply connection data

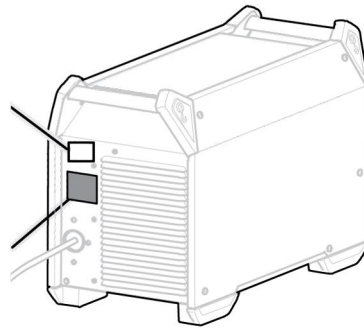


Tabla 5. Tamaño recomendado de los fusibles y sección mínima de los cables Warrior 500i CC/CV

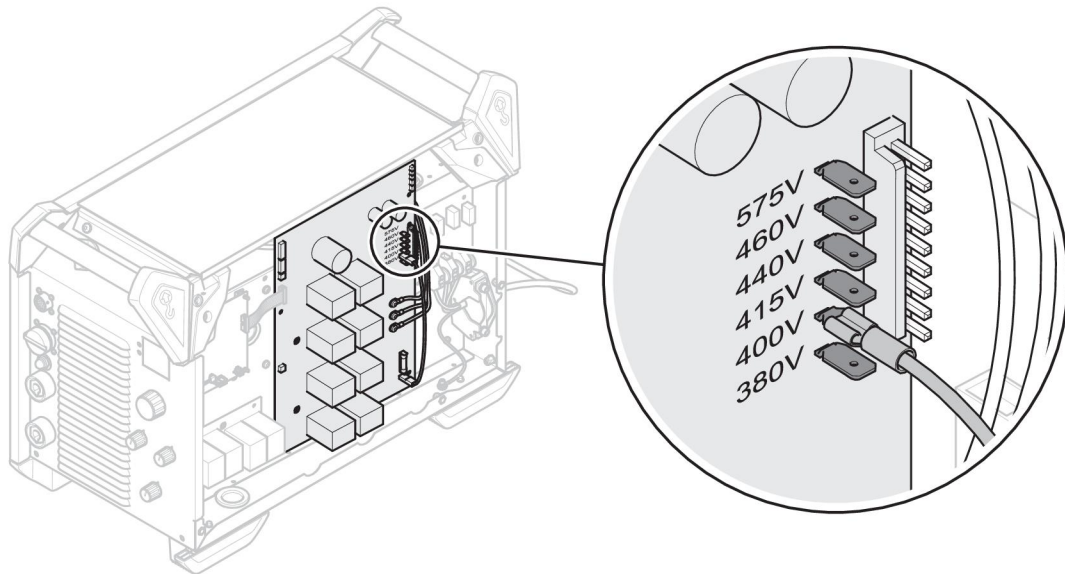
Warrior 500i CC/CV		
Tensión de red	380V 3~ 50/60 Hz	440V 3~ 50/60 Hz
Área de cable eléctrico	4C 8Awg / 4G 6 mm ²	4C 8Awg / 4G 6 mm ²
Corriente de fase I_{eff}	30A	28A
Fusible contra sobrecorrientes tipo C MCB	35A	35A
	32A	32A
Warrior 500i CC/CV		
Tensión de red	460V 3~ 50/60 Hz	575V 3~ 50/60 Hz
Área de cable eléctrico	4C 8Awg / 4G 6 mm ²	4C 8Awg / 4G 6 mm ²
Corriente de fase I_{eff}	28A	24A
Fusible contra sobrecorrientes tipo C MCB	35A	25A
	32A	25A



¡NOTA!

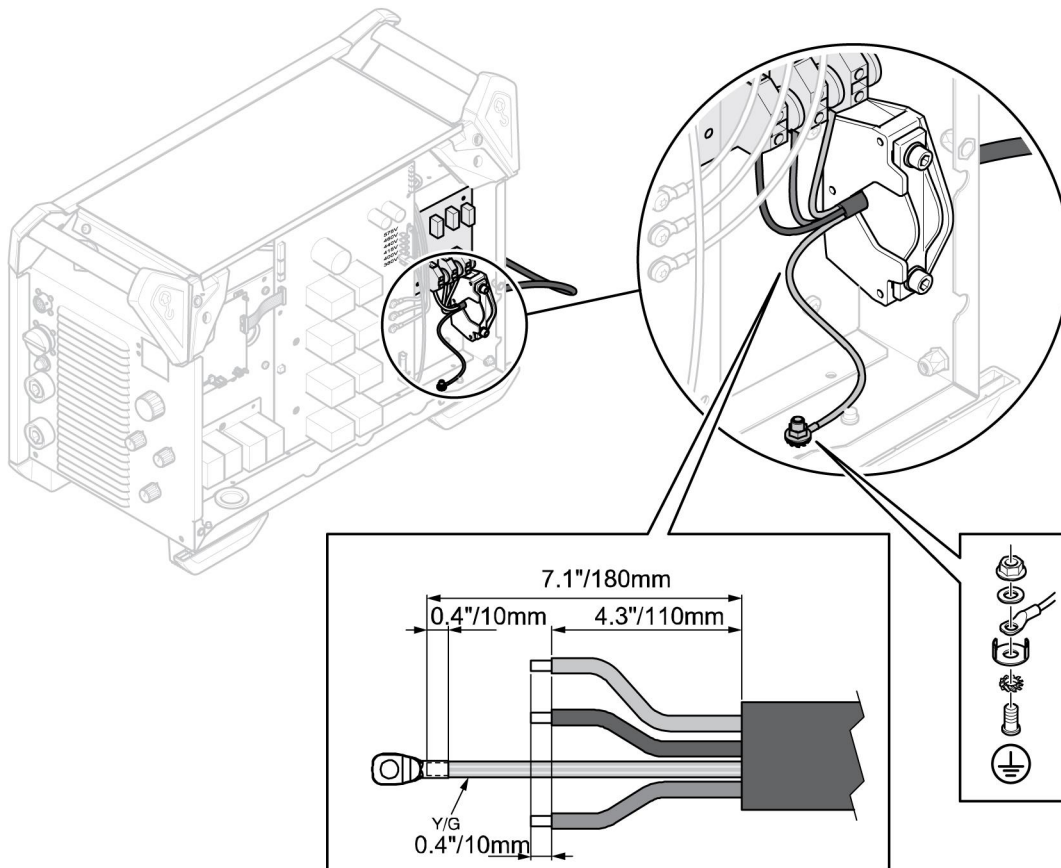
Las áreas de los cables eléctricos y los tamaños de los fusibles, tal como se muestran arriba, se establecen según la normativa sueca. Utilice la fuente de alimentación de acuerdo con la normativa nacional correspondiente.

Instrucciones para la conexión



La fuente de alimentación está conectada a 460V de fábrica. Si se requiere otra tensión de red, se deberá mover el cable en la placa de circuitos impresos y luego se colocará en el pin correcto. Consulte la imagen anterior. Esta operación debe ser realizada por personal que cuente con el conocimiento eléctrico correspondiente.

Instalación de cable eléctrico

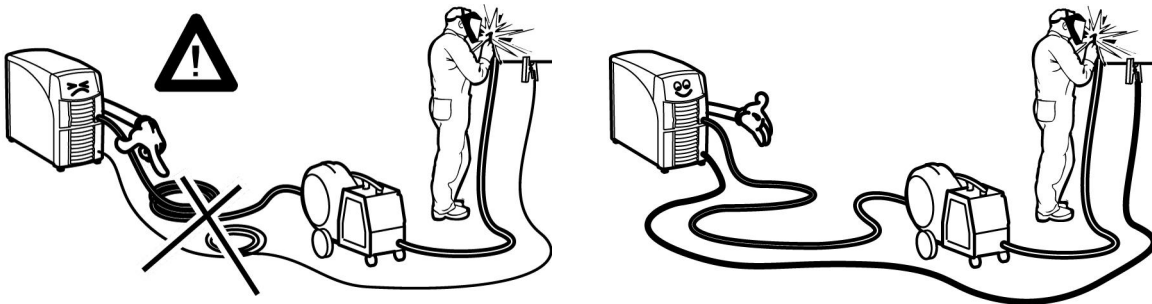


Se debe instalar un cable eléctrico. Es importante que la conexión a tierra en la placa inferior se realice de la manera correcta. Consulte la imagen anterior para ver el orden en que se colocan las arandelas, las tuercas y los tornillos.

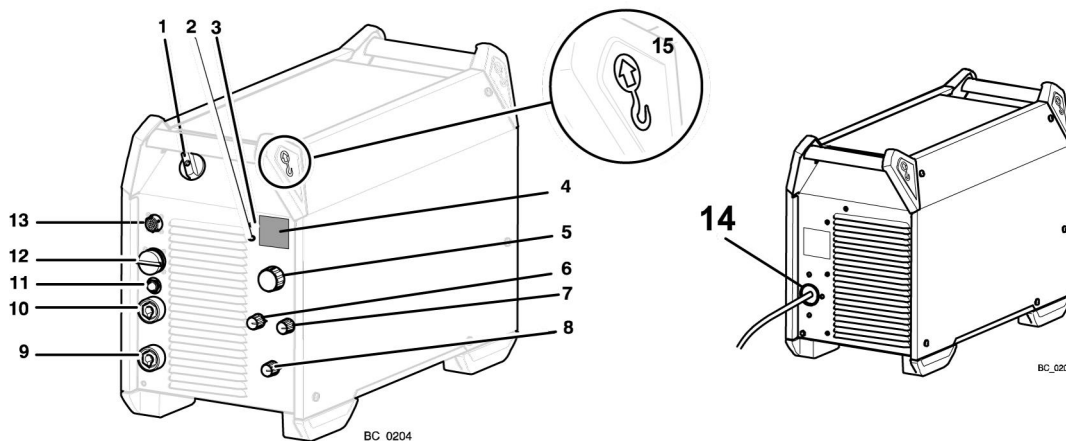
6 FUNCIONAMIENTO

6.1 Información general

Las regulaciones generales de seguridad para manejar el equipo se detallan en el capítulo "Seguridad". Léalo atentamente antes de encender el equipo.



6.2 Conexiones y dispositivos de control



- | | |
|---|---|
| 1. Interruptor de alimentación eléctrica, O/I | 9. Conexión (-): MIG/MAG: Cable de retorno
TiG: Pistola de soldadura MMA: Cable de
retorno o cable de soldadura |
| 2. Lámpara indicadora, amarilla,
recalentamiento | 10. Conexión (+): MIG/MAG: Cable de
soldadura TiG: Cable de retorno MMA:
Cable de soldadura o cable de retorno |
| 3. Lámpara indicadora, verde, función VRD
(tensión en circuito abierto reducido) | 11. Disyuntor del circuito, 10 A, 42 V |
| 4. Pantalla, corriente (A) y tensión (V) | 12. Conexión de unidad de alimentación del
hilo |
| 5. Perilla para ajustar: SMAW/GTAW:
Corriente (A) | 13. Conexión de unidad de control remoto
(opción) |
| 6. Perilla para elección del tipo de electrodo | 14. Conexión del interruptor de alimentación
eléctrica |
| 7. Perilla para inductancia (MIG/MAG) y arco
eléctrico (MMA): | 15. Bulón del cárcamo para izado |
| 8. Perilla para método de soldadura | |

6.3 Conexión de los cables de soldadura y de retorno

La fuente de alimentación tiene dos salidas, un terminal positivo (+) y un terminal negativo (-) para conectar los cables de soldadura y de retorno. La salida a la cual se conecta el cable de soldadura depende del método de soldadura o el tipo de electrodo utilizado.

Conecte el cable de retorno a otra salida en la fuente de alimentación. Asegure la abrazadera de contacto del cable de retorno a la pieza de trabajo y cerciórese de que exista un buen contacto entre la pieza de trabajo y la salida del cable de retorno a la fuente de alimentación.

Para soldadura SMAW, el cable de soldadura puede estar conectado a un terminal positivo (+) o a un terminal negativo (-) según el tipo de electrodo utilizado. La polaridad de conexión se establece en el embalaje de los electrodos.

6.4 Encendido/apagado de la alimentación eléctrica

Para encender la alimentación eléctrica coloque el interruptor en la posición "I", consulte 1 en la imagen anterior.

Para apagar la unidad coloque el interruptor en la posición "O".

Ya sea que se interrumpa el suministro de alimentación eléctrica o que la fuente de alimentación esté apagada de la manera normal, los datos de la soldadura se almacenarán de modo que estén disponibles la próxima vez que se inicie la unidad.







¡PRECAUCIÓN!







No apague la fuente de alimentación durante la soldadura (con carga).

6.5 Control del ventilador

La fuente de alimentación tiene un regulador horario, eso significa que los ventiladores siguen funcionando durante 6,5 minutos una vez detenida la soldadura y que la fuente de alimentación pasa al modo de ahorro de energía. Los ventiladores vuelven a arrancar cuando se reinicia la soldadura.

6.6 Símbolos y funciones

	Ubicación del cárcamo para izado	VRD	Dispositivo de reducción de tensión
	Protección contra el sobrecalentamiento	Basic	Electrodo básico
Rutile	Electrodo de rutilo	Cel	Electrodo celulósico
	Arco eléctrico		Inductancia

	Soldadura TIG (TIG activo)		Ranurado por arco de aire
	Soldadura MMA		Soldadura MIG/MAG
 Mobile Feed CV	Unidad de alimentación de hilo Modo Mobile feed CV (voltaje constante)		Toma de tierra de protección

Dispositivo de reducción de tensión (VRD)

La función VRD garantiza que la tensión en circuito abierto no exceda los 35 V cuando no se está soldando. Esto se indica mediante un led VRD encendido.

La función VRD se bloquea cuando el sistema detecta que se empieza a soldar.

Comuníquese con un técnico del servicio autorizado de ESAB para activar la función.

Protección contra el sobrecalentamiento

La fuente de alimentación de soldadura tiene una protección contra el sobrecalentamiento que funciona si la temperatura es muy elevada. Cuando esto sucede, se interrumpe la corriente de la soldadura y se enciende la lámpara de indicación de sobrecalentamiento.

La protección contra el sobrecalentamiento se restablece automáticamente cuando disminuye la temperatura, dentro de temperaturas de trabajo normales.

Arco eléctrico

El arco eléctrico es importante para determinar cómo cambia la corriente en respuesta a un cambio en la longitud de arco. Un valor inferior refleja un arco más calmo con menos salpicaduras.

Solo se aplica a la soldadura SMAW.

Inductancia

La inductancia más elevada se refleja en un depósito de soldadura más amplio y menos salpicaduras. Una menor inductancia produce un sonido más chillón, pero un arco estable, concentrado.

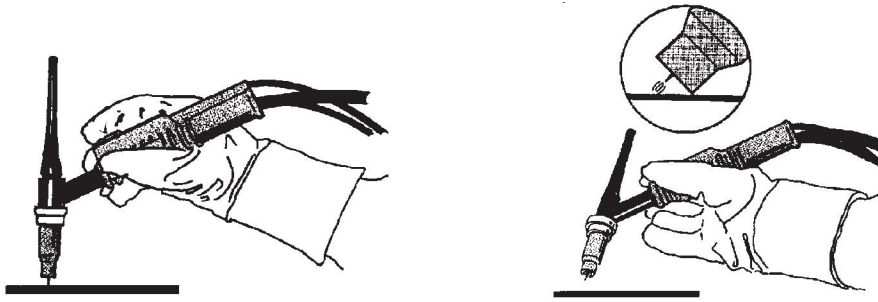
Solo se aplica a la soldadura GMAW.

Soldadura GTAW

La soldadura GTAW funde el metal de la pieza de trabajo, mediante un golpe de arco desde un electrodo de tungsteno, que no se funde. El depósito de soldadura y el electrodo están preservados por el gas de protección.

"Arranque con TIG activo"

En un "Arranque con TIG activo", el electrodo de tungsteno se coloca frente a la pieza de trabajo. Una vez que se levanta el electrodo de la pieza de trabajo, el arco se golpea a un nivel de corriente limitado.



En el caso de la soldadura GTAW, la fuente de alimentación de soldadura se deberá complementar con:

- un soplete TIG con válvula de gas
- un cilindro de gas argón
- un regulador de gas argón
- electrodo de tungsteno

Ranurado por arco de aire

Con el ranurado por arco de aire, se utiliza un electrodo especial que incluye una barra de carbón con un revestimiento de cobre.

Se forma un arco entre la barra de carbón y la pieza de trabajo, que funde el material. Se suministra aire comprimido de manera que desaparece el material fundido.

En el caso de ranurado por arco de aire la fuente de alimentación se deberá complementar con:

- pistolas de arco de aire
- aire comprimido
- cable de retorno con pinza

Tabla 6. Recomendado para ranurado

Electrodo	Voltaje mín.	Voltaje máx.	Extensión del electrodo
6 mm (1/4")	36 V	49 V	50 - 76 mm (2 - 3")
8 mm (5/16")	39 V	52 V	
10 mm (3/8")	43 V	52 V	

Soldadura SMAW

La soldadura SMAW también puede denominarse soldadura con electrodos recubiertos. Cuando el arco golpea, se funde el electrodo y su película forma una chatarra protectora.

En el caso de la soldadura SMAW, la fuente de alimentación se deberá complementar con:

- cable de soldadura con soporte para electrodo
- cable de retorno con pinza

GMAW y soldadura con hilo tubular autoprotegido

Un arco funde un hilo suministrado continuamente. El depósito de soldadura está cubierto por el gas de protección.

En el caso de GMAW y la soldadura con hilo tubular autoprotegido, la fuente de alimentación deberá estar complementada con:

- unidad de alimentación de hilo
- soplete de soldar
- cable de conexión entre la fuente de alimentación y la unidad de alimentación de hilo

6 FUNCIONAMIENTO

- cilindro de gas
- cable de retorno con pinza

7 MANTENIMIENTO

7.1 Información general

El mantenimiento regular es muy importante para un funcionamiento seguro y confiable.

Solo el personal con el conocimiento sobre electricidad adecuadas (personal autorizado) puede retirar las placas de seguridad.



¡PRECAUCIÓN!

Todos los compromisos asumidos por el proveedor en la garantía se dejan de aplicar si el cliente intenta realizar algún trabajo para rectificar las fallas del producto durante el período de garantía.

7.2 Fuente de alimentación

Compruebe periódicamente que la unidad de alimentación de soldadura no esté atascada con suciedad.

Los intervalos de limpieza y los métodos adecuados dependen de los siguientes factores:

- el proceso de soldadura
- los tiempos de arco
- la ubicación
- y el entorno de trabajo

Por lo general, resulta suficiente limpiar la fuente de alimentación con aire comprimido seco (a baja presión) una vez al año.

Recuerde que una entrada o salida de aire obstruida puede ser motivo de sobrecalentamiento.

7.3 Soplete de soldadora

Un programa regular de cuidado y mantenimiento reduce los tiempos de parada innecesarios y costosos.

Cada vez que se cambia una bobina de hilo, es necesario retirar el soplete de soldadura de la fuente de alimentación y soplar con aire comprimido.

El extremo del cable no debe tener aristas filosas cuando se inserte en la guía del hilo.

Para obtener información detallada, consulte los manuales de instrucción para sopletes de soldadura.

8 SOLUCIÓN DE PROBLEMAS

Antes de avisar a un técnico del servicio autorizado, efectúe las siguientes comprobaciones.

Tipo de falla	Acción correctiva
No se forma el arco.	<ul style="list-style-type: none"> • Asegúrese de que el interruptor de alimentación eléctrica esté encendido. • Asegúrese de que los cables de red, de soldadura y de retorno estén correctamente conectados. • Asegúrese de que el valor de corriente seleccionado sea el adecuado. • Revise los fusibles de la instalación eléctrica.
La corriente de soldadura se interrumpe durante la soldadura.	<ul style="list-style-type: none"> • Asegúrese de que se haya implementado la protección de sobrecarga (indicada en la parte delantera). • Revise los fusibles de la instalación eléctrica. • Compruebe que el cable de retorno esté correctamente atado.
La protección contra el sobrecalentamiento se dispara con frecuencia.	<ul style="list-style-type: none"> • Cerciórese de no estar sobrepasando los valores nominales de la fuente de alimentación (es decir, de no estar sobrecargando la fuente).
La soldadura es deficiente.	<ul style="list-style-type: none"> • Asegúrese de que los cables de soldadura y de retorno estén correctamente conectados • Asegúrese de que el valor de corriente seleccionado sea el adecuado. • Asegúrese de que se utilice el hilo o electrodo correcto. • Revise los fusibles de la instalación eléctrica. • Verifique la presión de gas del equipo conectado a la fuente de alimentación.
Aparece "Err" en el modo de circuito abierto	<ul style="list-style-type: none"> • Revise los fusibles de la instalación eléctrica. • Verifique que el voltaje en la etiqueta de selección de voltaje en la parte de atrás de la fuente de alimentación sea igual que la tensión de red nominal. • Reinicie la fuente de alimentación con el interruptor principal.

9 PEDIDOS DE REPUESTOS

Las reparaciones y los trabajos eléctricos deben ser realizados por un técnico del servicio autorizado de ESAB. Utilice solo piezas usadas y repuestos originales ESAB.




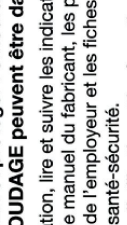
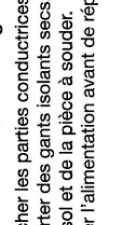
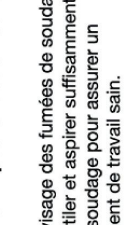
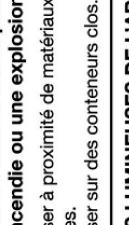
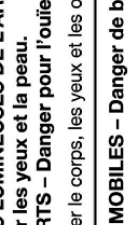
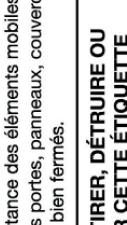
El equipo Warrior 500i CC/CV está diseñado y probado de acuerdo con los estándares internacionales IEC 60974-1, estándares canadienses CAN/CSA-E60974-1:11 y los estándares estadounidenses ANSI/IEC 60974-1:2008.

Al finalizar el trabajo de servicio de mantenimiento o reparación, es responsabilidad de la persona que realiza el trabajo garantizar que el producto sigue cumpliendo con los requisitos de los estándares anteriores.

Al realizar el pedido de piezas de repuesto, detalle el número y el nombre de la pieza, como aparece en la lista de repuestos. Siempre proporcione el número de serie o serial de la unidad en la que se usará el repuesto. El número de serie figura en la placa de características.

1	ПРЕДУПРЕЖДЕНИЯ	60
2	ТЕХНИКА БЕЗОПАСНОСТИ	61
3	ВВЕДЕНИЕ	64
3.1	Обзор	64
3.2	Оборудование	64
4	ТЕХНИЧЕСКИЕ ХАРАКТЕРИСТИКИ	65
5	УСТАНОВКА	67
5.1	Общее	67
5.2	Инструкции по подъему	67
5.3	Расположение	67
5.4	Питание от сети	68
6	ПОРЯДОК РАБОТЫ	71
6.1	Обзор	71
6.2	Соединения и устройства управления	71
6.3	Подключение сварочного и обратного кабелей	72
6.4	Включение и отключение сетевого питания	72
6.5	Управление вентиляторами	72
6.6	Обозначения и функции	72
7	ТЕХНИЧЕСКОЕ ОБСЛУЖИВАНИЕ	75
7.1	Обзор	75
7.2	Источник питания	75
7.3	Сварочная горелка	75
8	ВЫЯВЛЕНИЕ НЕИСПРАВНОСТЕЙ	76
9	ЗАКАЗ ЗАПАСНЫХ ЧАСТЕЙ	77
	СХЕМА	78
	НОМЕРА ДЛЯ ЗАКАЗА	79
	ДОПОЛНИТЕЛЬНОЕ ОБОРУДОВАНИЕ	80

1 ПРЕДУПРЕЖДЕНИЯ

 WARNING	 ADVERTENCIA	 AVERTISSEMENT
 <p>PROTECT yourself and others. ARC PROCESSES can be hazardous.</p> <ul style="list-style-type: none"> • Before use, read and follow all labels, the manufacturer's instruction manual, employer's safety practices, and Material Safety Data Sheets (MSDSs). • Only qualified persons are to install, use, or service this equipment. 	<p>PROTÉJASE y proteja a los demás. PROCESOS DE ARCO pueden ser peligrosos.</p> <ul style="list-style-type: none"> • Antes de utilizarlo, lea y siga todas las etiquetas, el manual de instrucciones del fabricante, las prácticas de seguridad del empleador y las Hojas de datos de seguridad de los materiales (MSDS). • Únicamente personal calificado puede instalar, utilizar o brindar servicio a este equipo. 	<p>SE PROTÉGER et protéger l'entourage ! ARCS DE SOUDAGE peuvent être dangereux.</p> <ul style="list-style-type: none"> • Avant utilisation, lire et suivre les indications des étiquettes, le manuel du fabricant, les pratiques de sécurité de l'employeur et les fiches techniques santé-sécurité. • L'installation, l'utilisation et la réparation sont réservées aux personnes qualifiées.
 <p>ELECTRIC SHOCK can kill.</p> <ul style="list-style-type: none"> • Do not touch live electrical parts. • Always wear dry insulating gloves. • Insulate yourself from work and ground. • Disconnect input power before servicing unit. 	<p>DESCARGAS ELÉCTRICAS pueden ser mortales.</p> <ul style="list-style-type: none"> • No toque partes eléctricas energizadas. • Utilice siempre guantes aislantes secos. • Aísele del equipo con el que está trabajando y respecto de tierra. • Antes de brindar servicio a la unidad, desconecte la entrada de alimentación. 	<p>DÉCHARGE ÉLECTRIQUE – Danger de mort.</p> <ul style="list-style-type: none"> • Ne pas toucher les parties conductrices. • Toujours porter des gants isolants secs. • S'isoler du sol et de la pièce à souder. • Déconnecter l'alimentation avant de réparer l'appareil.
 <p>FUMES AND GASES can be hazardous to your health.</p> <ul style="list-style-type: none"> • Keep your head out of the fumes. • Use enough ventilation, exhaust at the arc, or both to keep fumes and gases from your breathing zone and the general area. 	<p>HUMOS Y GASES pueden ser peligrosos para la salud.</p> <ul style="list-style-type: none"> • Mantenga la cabeza alejada de los humos. • Disponga una ventilación suficiente o una vía de salida en el arco, o ambas, para mantener humos y gases alejados de su zona de respiración y del área general. 	<p>FUMÉES ET GAZ peuvent être nocifs pour la santé.</p> <ul style="list-style-type: none"> • Éloigner le visage des fumées de soudage. • Veiller à ventiler et aspirer suffisamment les fumées de soudage pour assurer un environnement de travail sain.
 <p>SPARKS AND SPATTER can cause fire or explosion.</p> <ul style="list-style-type: none"> • Do not use near flammable material. • Do not use on closed containers. 	<p>CHISPAS Y SALPICADURAS pueden provocar incendios o explosiones.</p> <ul style="list-style-type: none"> • No utilizar cerca de materiales inflamables. • No utilizar en contenedores cerrados. 	<p>ÉTINCELLES ET PROJECTIONS peuvent causer un incendie ou une explosion.</p> <ul style="list-style-type: none"> • Ne pas utiliser à proximité de matériaux inflammables. • Ne pas utiliser sur des conteneurs clos.
 <p>ARC RAYS can injure eyes and burn skin. NOISE can damage hearing.</p> <ul style="list-style-type: none"> • Wear correct eye, ear, and body protection. 	<p>RAYOS EMITIDOS POR LOS ARCOS ELÉCTRICOS pueden dañar los ojos y quemar la piel. RUIDOS FUERTES pueden dañar la audición.</p> <ul style="list-style-type: none"> • Use la protección ocular, auditiva y corporal correcta. 	<p>RADIATIONS LUMINEUSES DE L'ARC – Danger pour les yeux et la peau. BRUITS FORTS – Danger pour l'ouïe.</p> <ul style="list-style-type: none"> • Bien protéger le corps, les yeux et les oreilles.
 <p>MOVING PARTS can injure.</p> <ul style="list-style-type: none"> • Keep away from moving parts. • Keep all doors, panels, covers, and guards closed and securely in place. 	<p>PARTES MÓVILES pueden provocar lesiones.</p> <ul style="list-style-type: none"> • Manténgase alejado de las partes móviles. • Mantenga todas las puertas, cubiertas, protecciones y paneles cerrados y sujetos en su lugar. 	<p>ÉLÉMENTS MOBILES – Danger de blessure</p> <ul style="list-style-type: none"> • Rester à distance des éléments mobiles. • Maintenir les portes, panneaux, couvercles et protections bien fermés.
<p>DO NOT REMOVE, DESTROY OR COVER THIS LABEL</p>	<p>NO RETIRAR, DESTRUIR O CUBRIR ESTA ETIQUETA.</p>	<p>NE PAS RETIRER, DÉTRUIRE OU RECOUVRIR CETTE ÉTIQUETTE</p>

0465419002

2 ТЕХНИКА БЕЗОПАСНОСТИ

Пользователи оборудования компании ESAB несут полную ответственность за соблюдение всеми лицами, работающими с оборудованием или вблизи от него, всех соответствующих мер безопасности. Меры безопасности должны соответствовать требованиям, которые распространяются на данный тип сварочного оборудования. В дополнение к стандартным правилам, относящимся к рабочему месту, необходимо выполнять следующие рекомендации.

Все работы должны выполняться прошедшим обучение персоналом, хорошо знакомым с эксплуатацией оборудования. Неправильная эксплуатация оборудования может привести к возникновению опасных ситуаций, следствием которых может стать получение травм оператором и повреждение оборудования.

1. Все лица, использующие оборудование, должны быть ознакомлены с:
 - правилами его эксплуатации;
 - расположением органов аварийного останова;
 - их функционированием;
 - соответствующими правилами техники безопасности;
 - сваркой и резкой, а также другим применением оборудования.
2. Оператор должен убедиться в том, что:
 - в пределах рабочей зоны оборудования, при его запуске, не находятся люди, не имеющие соответствующего разрешения;
 - при загорании дуги обеспечивается соответствующая защита персонала.
3. Рабочее место:
 - рабочее место должно соответствовать выполняемой работе;
 - на рабочем месте не должно быть сквозняков
4. Средства индивидуальной защиты
 - Во всех случаях используйте рекомендованные средства индивидуальной защиты, такие как защитные очки, огнестойкую одежду, защитные перчатки.
 - Запрещается носить незакрепленные предметы одежды и украшения, такие как шейные платки, браслеты, кольца, и т. д., которые могут зацепиться за детали оборудования или вызвать ожоги.
5. Общие меры безопасности
 - Убедитесь в том, что обратный кабель надежно закреплен.
 - К работе с высоковольтным оборудованием **может быть допущен только квалифицированный электрик.**
 - Соответствующие средства пожаротушения должны быть четко обозначены и находиться поблизости.
 - Смазку или техническое обслуживание **не** следует выполнять во время работы оборудования.

**ВНИМАНИЕ!**

Дуговая сварка и резка могут быть опасными для сварщика и других людей. При выполнении сварки или резки примите меры предосторожности. Проконсультируйтесь у работодателя о безопасных приемах работы, которые должны основываться на информации, предоставляемой производителем, об опасностях имеющих место в процессе выполнения работ.

ПОРАЖЕНИЕ ЭЛЕКТРИЧЕСКИМ ТОКОМ может быть смертельным

- Монтаж и заземление аппарата должны выполняться в соответствии с существующими стандартами.
- Не касайтесь к электрических деталей или электродов, находящихся под напряжением, открытыми участками кожи, влажными перчатками или мокрой одеждой
- Обеспечьте индивидуальную изоляцию от земли и обрабатываемой детали
- Убедитесь в безопасности своего рабочего положения.

ПАРЫ И ГАЗЫ могут быть опасными для здоровья

- Держите голову в стороне от выделяющихся паров
- Используйте вентиляцию, вытяжку в районе горения дуги или и то и другое, для того чтобы отвести пары и газы из зоны дыхания и из участка в целом.

ИЗЛУЧЕНИЕ ДУГИ может вызвать повреждение органов зрения и ожоги на коже.

- Обеспечьте защиту глаз и тела. Пользуйтесь правильно подобранными сварочным щитком и светофильтрами, надевайте защитную одежду
- Обеспечьте защиту стоящих рядом людей с помощью соответствующих экранов или шторок

ОПАСНОСТЬ ВОЗГОРАНИЯ

- Искры (брызги) могут вызвать пожар. Убедитесь в том, что поблизости нет воспламеняемых материалов

ШУМ — чрезмерный шум может привести к повреждению органов слуха

- Пользуйтесь средствами защиты органов слуха. Применяйте наушники или другие средства защиты органов слуха. Пользуйтесь средствами защиты органов слуха. Используйте наушники или другие средства защиты органов слуха.
- Предупредите стоящих рядом людей об опасности.

НЕПРАВИЛЬНОЕ ФУНКЦИОНИРОВАНИЕ — в случае неправильного функционирования обратитесь за помощью к специалистам.

Прежде чем приступить к монтажу установки или ее эксплуатации, тщательно изучите содержание руководства по эксплуатации.

ОБЕСПЕЧЬТЕ СОБСТВЕННУЮ ЗАЩИТУ И ЗАЩИТУ ДРУГИХ ЛЮДЕЙ!

ССЫЛКА НА СТАНДАРТ CAN/CSA-W117.2-06

**ВНИМАНИЕ!**

Нельзя использовать источник питания для отогревания замерзших труб.



ОСТОРОЖНО!

Прежде чем приступить к монтажу установки или ее эксплуатации, тщательно изучите содержание руководства по эксплуатации.



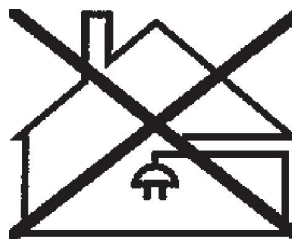
ОСТОРОЖНО!

Данное изделие предназначено только для дуговой сварки.



ОСТОРОЖНО!

Оборудование класса А не предназначено для использования в жилых помещениях, где электроснабжение осуществляется из бытовых сетей низкого напряжения. В таких местах могут появиться потенциальные трудности обеспечения электромагнитной совместимости оборудования класса А вследствие кондуктивных и радиационных помех.



Компания ESAB готова предоставить вам все средства защиты и принадлежности, необходимые для выполнения сварочных работ.

3 ВВЕДЕНИЕ

3.1 Обзор

Warrior 500i CC/CV представляет собой источник сварочного тока для дуговой сварки в среде инертного газа (GMAW), для дуговой сварки порошковой проволокой (FCAW-S), для дуговой сварки вольфрамовым электродом в среде инертного газа (GTAW) , для электродуговой сварки покрытыми металлическими электродами (SMAW) и воздушно-дуговой резки.

Источники питания предназначены для использования со следующими блоками подачи проволоки:

- Warrior Feed 304
- Warrior Feed 304w

Принадлежности, предлагаемые компанией ESAB для данного изделия, представлены в разделе «ПРИНАДЛЕЖНОСТИ» этого руководства.

3.2 Оборудование

Источник питания поставляется со следующими устройствами:

- обратным кабелем длиной 5 м с зажимом заземления;
- руководством по эксплуатации.

4 ТЕХНИЧЕСКИЕ ХАРАКТЕРИСТИКИ

Warrior 500i CC/CV	
Напряжение питания	380 В; 440 В; 460 В; 575 В ± 10 %, 3~ 50/60 Гц
Первичный ток I _{max.} GMAW - MIG	38 А
I _{max.} GTAW - TIG	31 А
I _{max.} SMAW - MMA	38 А
Потребляемая мощность холостого хода в режиме энергосбережения через 6,5 мин после сварки	40 Вт
Диапазон регулировки Пологая характеристика сварки GMAW - MIG	16 А/15 В – 500 А/39 В
Падающая характеристика сварки GTAW - TIG	5 А/10 В – 500 А/30 В
Падающая характеристика сварки SMAW - MMA	16 А/20 А – 500 А/40 В
Допустимая нагрузка при дуговой сварке в среде инертного газа (GMAW) 60 % рабочий цикл	500 А/39 В
100% рабочий цикл	400 А/34 В
Допустимая нагрузка при сварке GTAW 60 % рабочий цикл	500 А/30 В
100% рабочий цикл	400 А/26 В
Допустимая нагрузка при сварке SMAW 60 % рабочий цикл	500 А/40 В
100% рабочий цикл	400 А/36 В
Коэффициент мощности при максимальном токе GMAW	0,87
GTAW	0,83
SMAW	0,87
КПД при максимальном токе GMAW	90 %
GTAW	88%
SMAW	90 %
Типы электродов	с основным покрытием с рутиловым покрытием с целлюлозным покрытием
Напряжение холостого хода без функции VRD	84 В пост. тока
Полная мощность при максимальном токе	31,7 кВА
Активная мощность при максимальном токе	22,6 кВт
Рабочая температура	от –10 до 40 °С
Температура для транспортировки	от –20 до 55 °С

Warrior 500i CC/CV	
Постоянный уровень звукового давления в режиме ожидания	< 70 дБ (А)
Размеры (д х ш х в)	712 x 325 x 470 мм
Вес (сварочный источник питания)	52,5 кг
Класс изоляции	Н
Степень защиты корпуса	IP 23
Класс применения	S

Рабочий цикл

Рабочим циклом называется время, выраженное в процентах от периода продолжительностью десять минут, в течение которого вы можете производить сварку или резку с определенной нагрузкой без риска перегрузки. Рабочий цикл указан для температуры 40 °С.

Степень защиты корпуса

Код **IP** указывает на степень защиты корпуса, то есть на степень защиты от проникновения твердых инородных тел или воды.

Оборудование, имеющее маркировку **IP23**, предназначено для использования внутри и вне помещений.

Класс применения

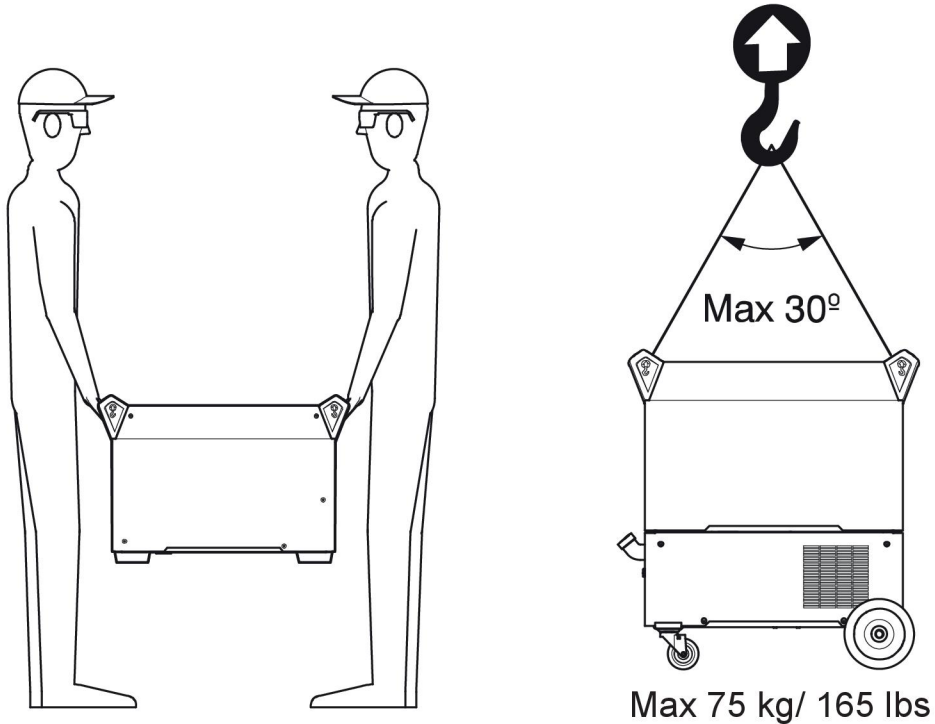
Символ **S** указывает на то, что источник питания предназначен для использования в местах с повышенной опасностью поражения электрическим током.

5 УСТАНОВКА

5.1 Общее

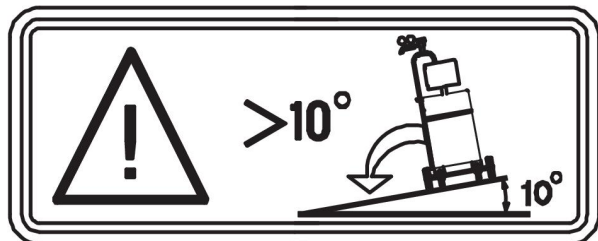
Монтаж должен выполняться специалистом.

5.2 Инструкции по подъему



ВНИМАНИЕ!

Закрепляйте оборудование, особенно в тех случаях, когда оно расположено на неровной или наклонной поверхности.



5.3 Расположение

Разместите источник сварочного тока таким образом, чтобы имеющиеся в нем отверстия для подвода и отвода охлаждающего воздуха не были заграждены.

5.4 Питание от сети

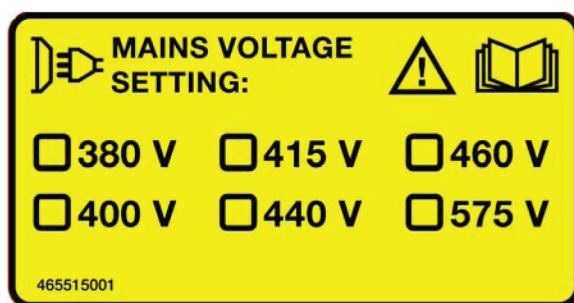


ВНИМАНИЕ!

Требования к сетям электроснабжения

Из-за больших величин тока в первичной обмотке оборудование высокой мощности может существенно повлиять на мощностные характеристики сети. Поэтому в отношении некоторого оборудования применяются ограничения или дополнительные требования, касающиеся максимально допустимого сопротивления оборудования или минимальной способности обеспечить стабильное энергоснабжение в точках взаимодействия общественных сетей. В таком случае пользователь или установщик оборудования должен проконсультироваться с оператором энергосети по поводу возможности подключения такого рода оборудования.

Убедитесь в том, что источник сварочного тока подключен к сети электропитания с требуемым напряжением и защищен предохранителями требуемого номинала. Необходимо обеспечить защитное заземление в соответствии с действующими нормами.



Rating plate with supply connection data

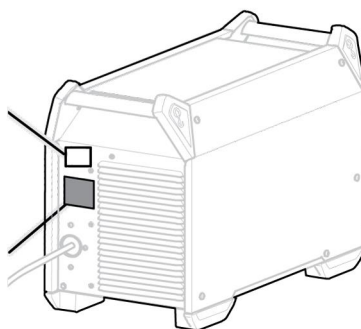


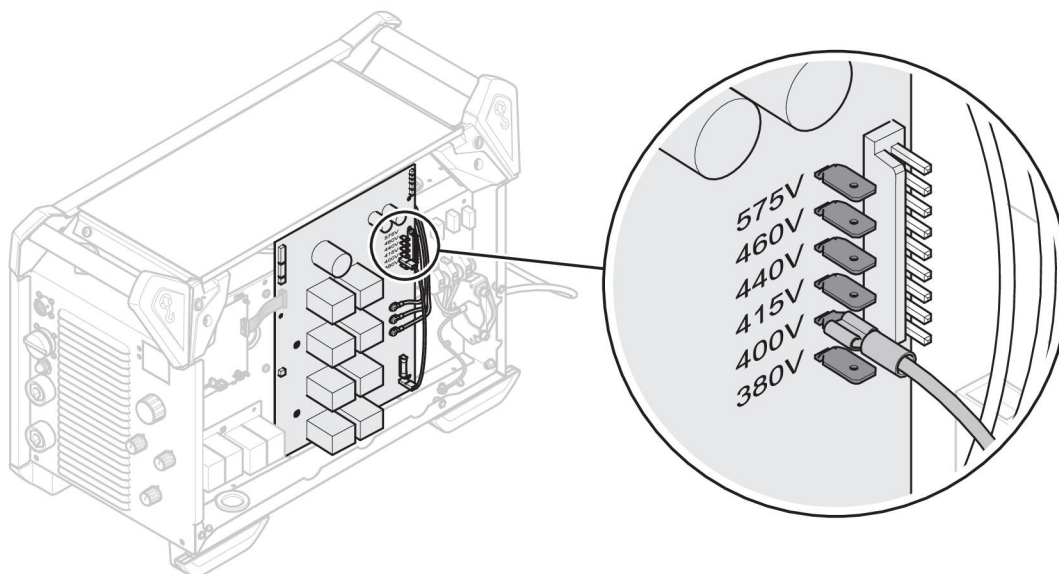
Таблица 7. Рекомендуемые номиналы предохранителей и минимальные сечения кабелей источника питания Warrior 500i CC/CV

Warrior 500i CC/CV		
Напряжение питания	380 В 3~ 50/60 Гц	440 В 3~ 50/60 Гц
Площадь поперечного сечения силового кабеля	4C 8 AWG/4G 6 мм ²	4C 8 AWG/4G 6 мм ²
Фазный ток I _{eff}	30 А	28 А
Предохранитель устойчивый к перенапряжениям тип С МСВ	35 А	35 А
	32 А	32 А
Warrior 500i CC/CV		
Напряжение питания	460 В 3~ 50/60 Гц	575 В 3~ 50/60 Гц
Площадь поперечного сечения силового кабеля	4C 8 AWG/4G 6 мм ²	4C 8 AWG/4G 6 мм ²

Warrior 500i CC/CV		
Фазный ток I_{eff}	28 A	24 A
Предохранитель устойчивый к перенапряжениям	35 A	25 A
тип С МСВ	32 A	25 A

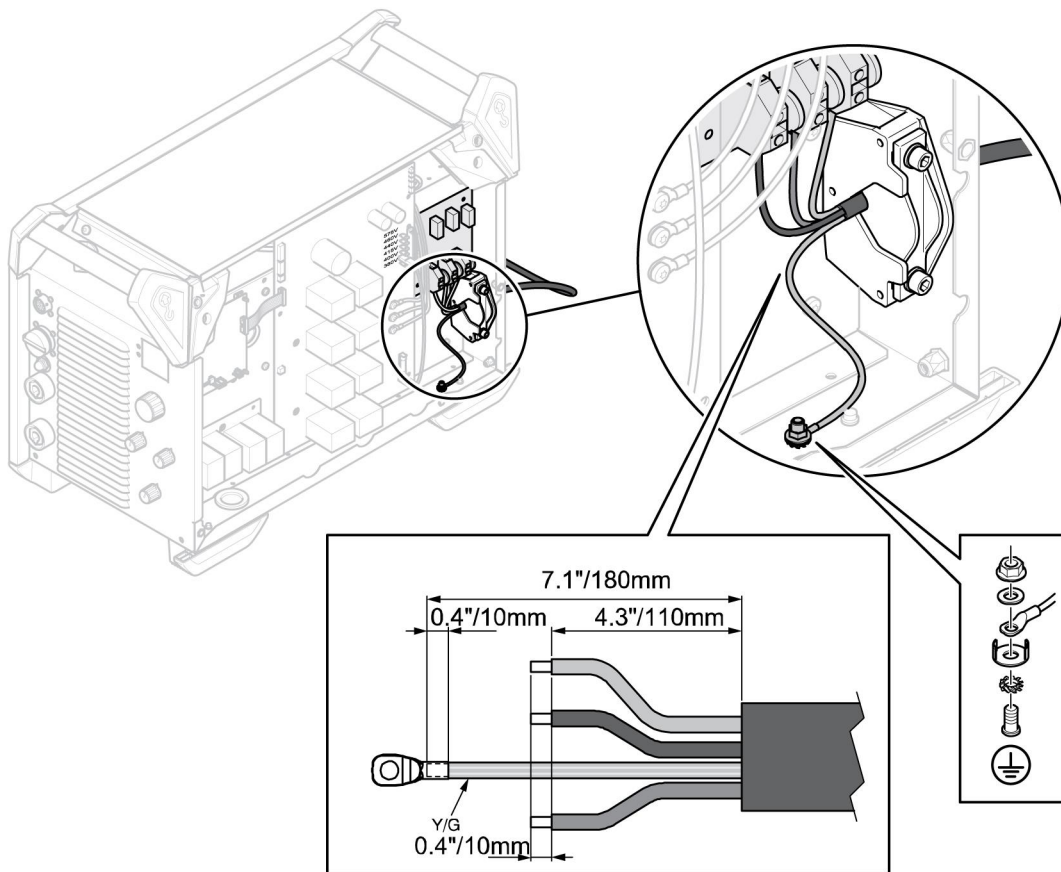
**ВНИМАНИЕ!**

Приведенные выше значения площади поперечного сечения силовых кабелей и номиналы предохранителей соответствуют шведским нормам. Эксплуатация источника сварочного тока должна осуществляться в соответствии с действующими национальными нормативными документами.

Инструкция по подключению

Источник питания предназначен для подключения к сети питания предприятия с напряжением 460 В. Для подключения к сети с другим напряжением необходимо присоединить кабель к другим контактам печатной платы. См. рисунок выше. Эту операцию должен выполнить специалист-электрик.

Подключение сетевого кабеля

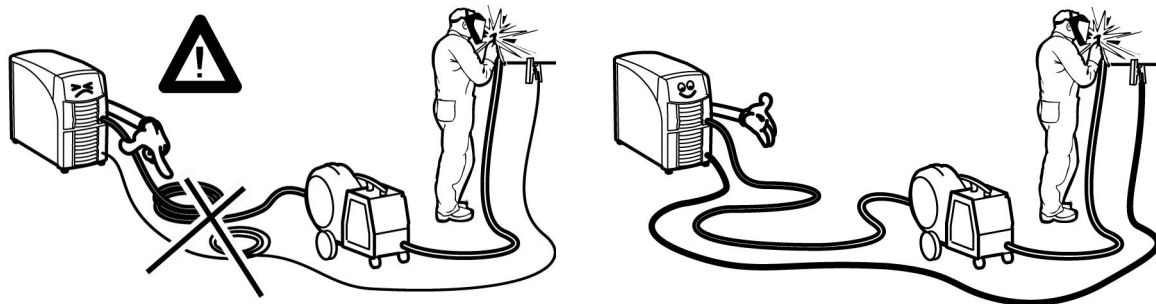


Сетевой кабель необходимо подключить. Очень важно правильно присоединить контакт заземления к основанию. На рисунке выше показана правильная последовательность установки шайб, гаек и винтов.

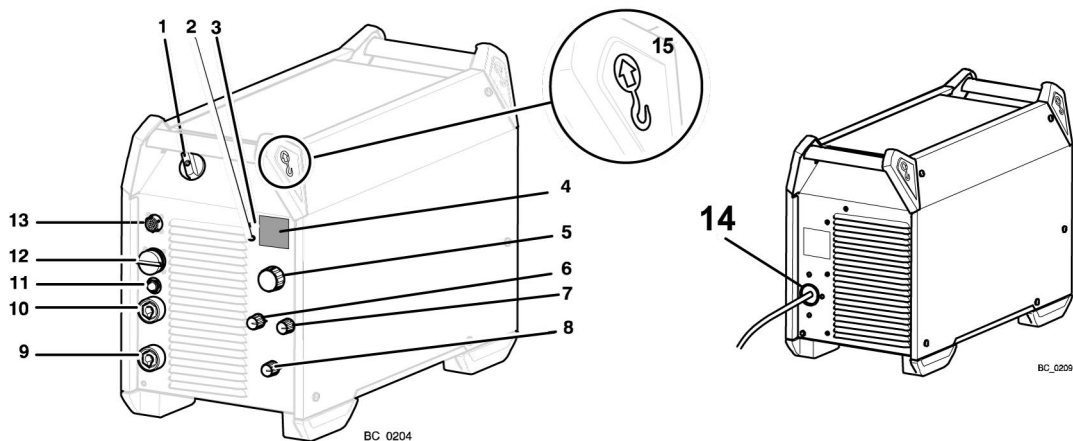
6 ПОРЯДОК РАБОТЫ

6.1 Обзор

Общие правила техники безопасности, которые необходимо соблюдать при эксплуатации оборудования, содержатся в главе «ТЕХНИКА БЕЗОПАСНОСТИ». Прочтите ее перед началом эксплуатации оборудования!



6.2 Соединения и устройства управления



- | | |
|--|--|
| 1. Сетевой выключатель питания, О/И | 9. Соединение (-) MIG/MAG: обратный кабель TiG: сварочный пистолет MMA: обратный кабель или сварочный кабель |
| 2. Индикаторная лампа, желтая, перегрев | 10. Соединение (+) MIG/MAG: сварочный кабель TiG: обратный кабель MMA: сварочный или обратный кабель |
| 3. Индикаторная лампа, зеленая, функция VRD (пониженное напряжение при разомкнутой цепи) | 11. Автоматический выключатель, 10 А, 42 В |
| 4. Дисплей, ток (А) и напряжение (V) | 12. Подключение блока подачи проволоки |
| 5. Ручка для установки: сварка SMAW/GTAW: ток (А) | 13. Разъем для подключения блока дистанционного управления (опция) |
| 6. Ручка для выбора типа электрода | 14. Подключение сетевого питания |
| 7. Ручка регулировки индуктивности (MIG/MAG) и мощности дуги (MMA): | 15. Подъемная проушина |
| 8. Ручка для выбора метода сварки | |

6.3 Подключение сварочного и обратного кабелей

Источник питания снабжен двумя выходами, положительной клеммой (+) и отрицательной клеммой (-), служащими для подключения сварочного и обратного кабелей. Выбор выхода, к которому подключается сварочный кабель, зависит от типа используемого электрода и способа сварки.

Подключите обратный кабель ко второму выходу на источнике питания. Закрепите контактный зажим обратного кабеля на детали и убедитесь в наличии достаточного контакта между деталью и выходом для подключения возвратного кабеля на источнике питания.

При сварке SMAW сварочный кабель можно подключить как к положительной (+), так и к отрицательной (-) клемме в зависимости от типа используемого электрода. Полярность подключения указывается на упаковке электродов.

6.4 Включение и отключение сетевого питания

Для включения питания поверните переключатель в положение «I», см. 1 на рис. выше.

Для выключения источника питания поверните выключатель в положение «0».

После штатного отключения сетевого питания или блока питания параметры сварки восстанавливаются при последующем включении блока.




ОСТОРОЖНО!

Не выключайте источник питания во время сварки (под нагрузкой).

6.5 Управление вентиляторами

Источник питания оснащен таймером, обеспечивающим продолжение работы вентиляторов в течение 6,5 мин после прекращения сварки и переключение блока в режим энергосбережения. При возобновлении сварки вентиляторы запускаются вновь.

6.6 Обозначения и функции

	Подъемная проушина	VRD	Устройство понижения напряжения
	Защита от перегрева	Basic	Электрод с основным типом покрытия
Rutile	Электрод с рутиловым покрытием	Cel	Электрод с целлюлозным покрытием
	Мощность дуги		Индуктивность

	Сварка TIG (Live TIG)		Воздушно-дуговая резка
	Сварка покрытым электродом (MMA)		Сварка MIG/MAG
 Mobile Feed CV	Блок подачи проволоки Mobile feed CV (постоянное напряжение)		Защитное заземление

Устройство понижения напряжения (VRD)

Когда сварка не выполняется, функция VRD обеспечивает удержание значения напряжения разомкнутой цепи на уровне, не превышающем 35 В. На ее включение указывает светодиод VRD.

Когда система обнаруживает начало процесса сварки, функция VRD блокируется.

Для того чтобы подключить эту функцию, обратитесь к уполномоченному специалисту по обслуживанию оборудования компании ESAB.

Защита от перегрева

Источник сварочного тока имеет защиту от перегрева, срабатывающую, когда температура становится слишком высокой. При этом подача сварочного тока прекращается и загорается оранжевая индикаторная лампа

После снижения температуры до нормального уровня реле защиты от перегрева автоматически возвращается в исходное положение.

Мощность дуги

Давление дуги имеет большое значение для определения того, как изменяется сила тока при изменении длины дуги. Чем меньше давление дуги, тем дуга спокойнее, и тем меньше разбрызгивание.

Это относится только к сварке SMAW.

Индуктивность

Чем выше индуктивность, тем больше размер зоны сварки и меньше разбрызгивание. При низкой индуктивности получаются более резкий звук и более стабильная плотная дуга.

Это относится только к сварке GMAW.

Сварка GTAW

При дуговой сварке GTAW происходит расплавление металла свариваемой детали с помощью электрической дуги, возбуждаемой на вольфрамовом электроде, который сам не плавится. Зона сварки и сам электрод защищены атмосферой из защитного газа.

"Live TIG-start"

В режиме «Live TIG-start» вольфрамовый электрод сначала касается детали. При отводе электрода от детали возбуждается дуга при ограниченном уровне тока.



При сварке GTAW источник питания дополняется:

- горелкой TIG с газовым клапаном;
- газовым баллоном для аргона;
- регулятором расхода аргона;
- вольфрамовым электродом;

Воздушно-дуговая резка

При воздушно-дуговой резке используется специальный электрод, состоящий из угольного стержня с медной оболочкой.

Между угольным стержнем и деталью возникает дуга, расплавляющая металл. Для выдувания расплавленного металла обеспечивается подача сжатого воздуха.

При воздушно-дуговой резке источник питания дополняется:

- воздушно-дуговыми резаками;
- источником сжатого воздуха;
- обратным кабелем с зажимом.

Таблица 8. Рекомендовано для резки

Электрод	Минимальное напряжение	Максимальное напряжение	Вылет электрода
6 мм	36 В	49 В	50–76 мм
8 мм	39 В	52 В	
10 мм	43 В	52 В	

Сварка SMAW

Сварка SMAW называется также сваркой покрытыми электродами. Зажженная дуга расплавляет электрод, и его покрытие образует защитный шлак.

При сварке SMAW источник питания дополняется:

- сварочным кабелем с держателем электрода;
- обратным кабелем с зажимом.

Сварка GMAW и сварка самозащитной проволокой с сердечником

Дуга расплавляет постоянно подающуюся проволоку. Зона сварки защищается атмосферой из защитного газа.

При сварке GMAW и сварке самозащитной проволокой с сердечником источник питания дополняется:

- блоком подачи проволоки;
- сварочной горелкой;
- соединительным кабелем между источником питания и блоком подачи проволоки;
- баллоном с газом.
- обратным кабелем с зажимом.

7 ТЕХНИЧЕСКОЕ ОБСЛУЖИВАНИЕ

7.1 Обзор

Регулярное техническое обслуживание имеет большое значение для безопасной и надежной работы оборудования.

Снимать защитные пластины разрешено только специалистам-электрикам (имеющим специальное разрешение).



ОСТОРОЖНО!

Все гарантийные обязательства поставщика теряют силу в том случае, если заказчик предпринимает самостоятельные попытки устранить неисправность в период действия гарантии.

7.2 Источник питания

Регулярно следите за тем, чтобы сварочный источник питания не был забит грязью.

Периодичность проверки и применяемые методы очистки зависят от:

- технологии сварки;
- длительности горения дуги;
- расположения;
- условий окружающей среды.

Обычно бывает достаточно продувать источник питания сухим сжатым воздухом (при пониженном давлении) один раз в год.

Засорение и забивание воздухозаборных и выпускных отверстий может также привести к перегреву устройства.

7.3 Сварочная горелка

Наличие регулярной программы ухода и технического обслуживания сокращает внеплановые и дорогостоящие простои.

При каждой смене бобины с проволокой следует отключать сварочный пистолет от источника питания и продувать его сжатым воздухом для очистки.

Вставляемый в направляющую для проволоки конец проволоки не должен иметь острой кромки.

Подробные сведения см. в руководствах по эксплуатации сварочных пистолетов.

8 ВЫЯВЛЕНИЕ НЕИСПРАВНОСТЕЙ

Прежде чем вызывать уполномоченного специалиста по техническому обслуживанию, попробуйте самостоятельно выполнить рекомендуемые ниже проверки.

Тип неисправности	Рекомендуемые меры
Отсутствие дуги.	<ul style="list-style-type: none"> • Проверьте, включен ли выключатель питания. • Проверьте правильность подключения сетевого, сварочного и обратного кабелей. • Проверьте, правильно ли задана величина тока. • Проверьте предохранители в цепи сетевого питания.
В процессе сварки пропал сварочный ток.	<ul style="list-style-type: none"> • Проверьте, не сработали ли реле защиты от тепловой перегрузки (индикация на передней панели). • Проверьте предохранители в цепи сетевого питания. • Проверьте правильность присоединения обратного кабеля.
Часто срабатывает реле защиты от перегрева.	<ul style="list-style-type: none"> • Убедитесь в том, что не превышены номинальные значения параметров источника питания (т. е. устройство работает без перегрузки).
Низкая эффективность сварки.	<ul style="list-style-type: none"> • Проверьте правильность подключения сварочного и обратного проводов. • Проверьте, правильно ли задана величина тока. • Убедитесь в том, что используется электрод/проволока требуемого типа. • Проверьте предохранители в цепи сетевого питания. • Проверьте давление газа в подключенном к источнику питания оборудовании.
В режиме холостого хода на дисплее отображается надпись «Err» (ошибка)	<ul style="list-style-type: none"> • Проверьте предохранители в цепи сетевого питания. • Убедитесь в том, что штатное напряжение устройства (указано на расположенной сзади табличке выбора напряжения) соответствует напряжению сети. • Выключите и снова включите источник питания вводным выключателем.

9 ЗАКАЗ ЗАПАСНЫХ ЧАСТЕЙ

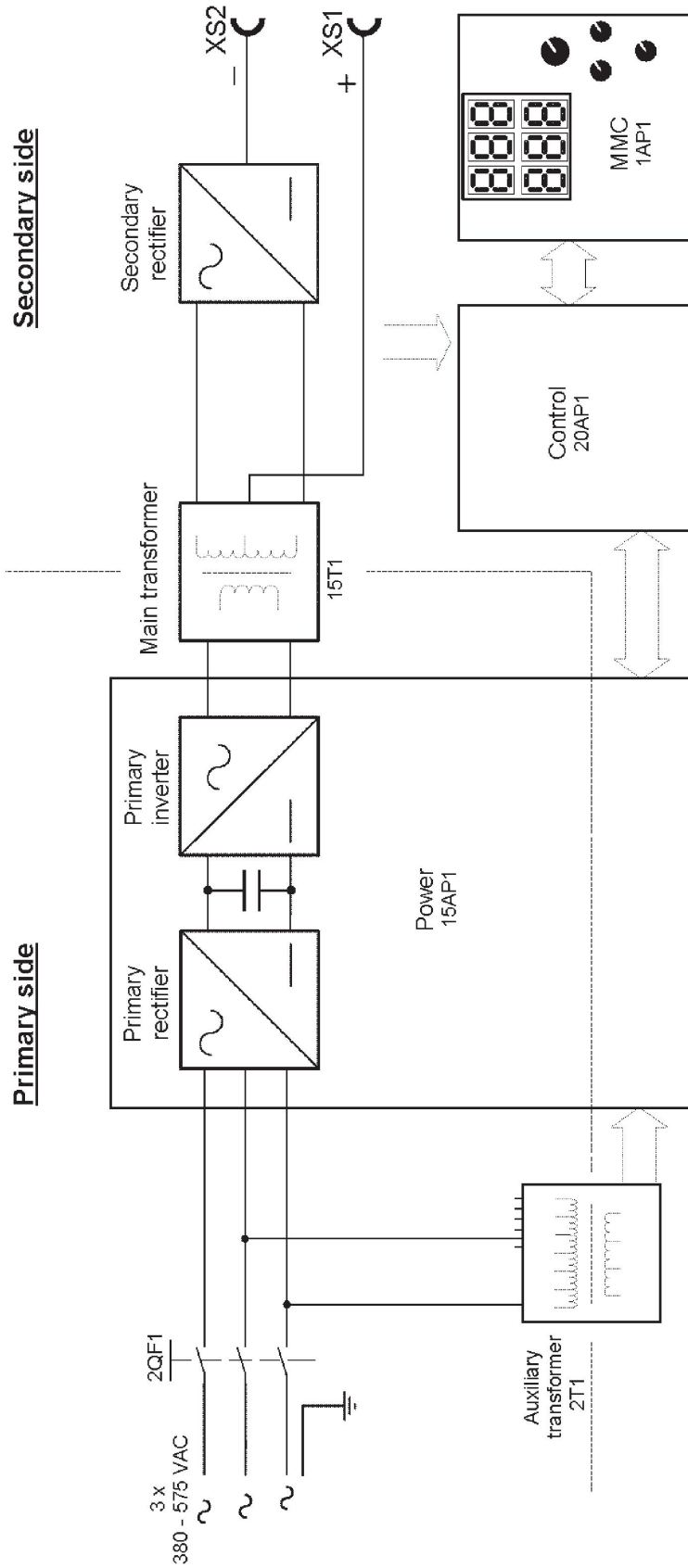
Работы по ремонту и электрическому монтажу должны выполняться квалифицированным техником ESAB по обслуживанию оборудования. Используйте только оригинальные запасные и изнашиваемые части ESAB.

Источник тока Warrior 500i CC/CV разработан и испытан в соответствии с международным стандартом IEC 60974-1, канадским стандартом CAN/CSA-E60974-1:11 и стандартом США ANSI/IEC 60974-1:2008.

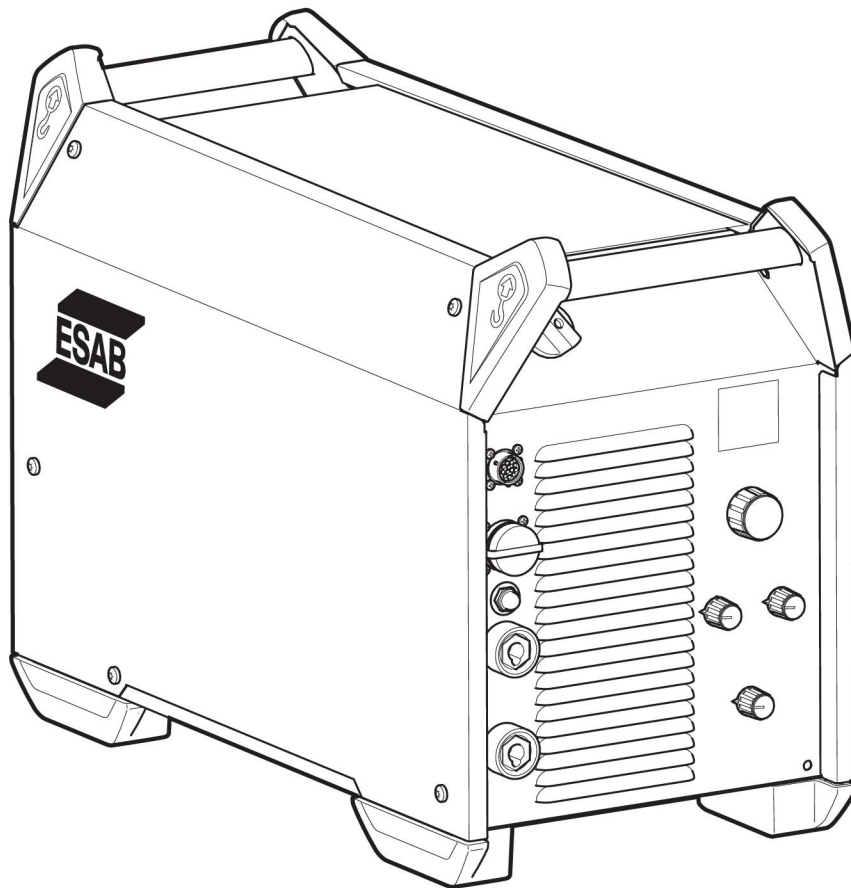
При выполнении обслуживания и ремонта, выполняющее эту работу лицо (лица) должно обеспечить последующее соответствие оборудование требованиям вышеуказанных стандартов.

При оформлении заказа указывайте номера и названия так, как они представлены в каталоге запасных частей. При этом обязательно указывайте серийный номер узла или блока, которому принадлежит заказываемая деталь. Серийный номер выбит на паспортной табличке.

DIAGRAM



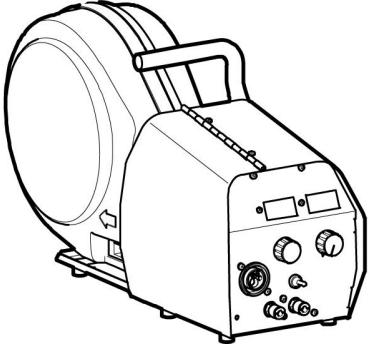
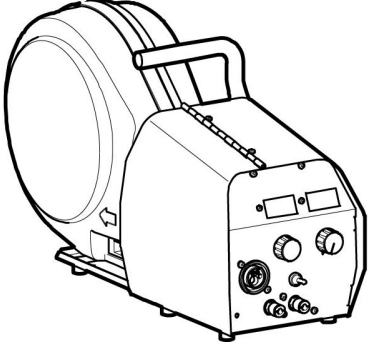

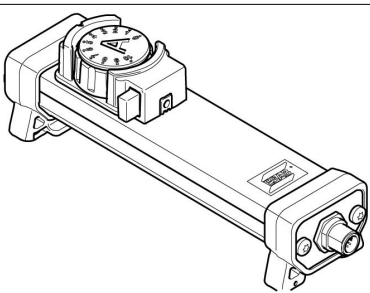

ORDERING NUMBERS

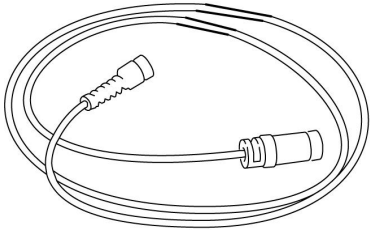
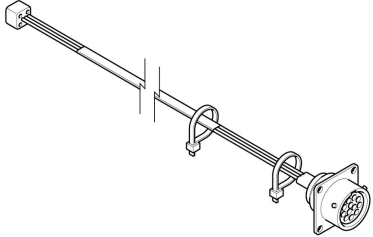
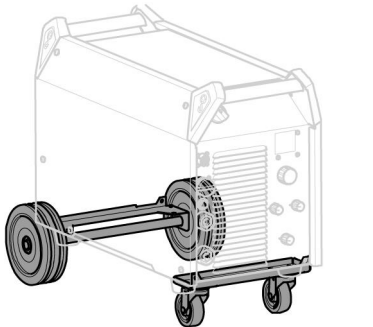
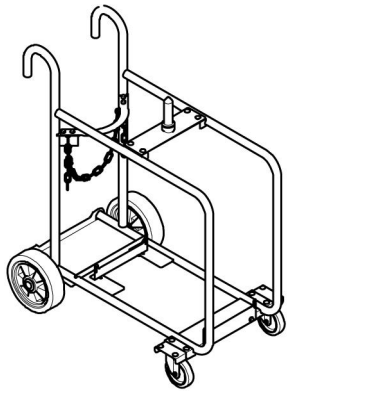
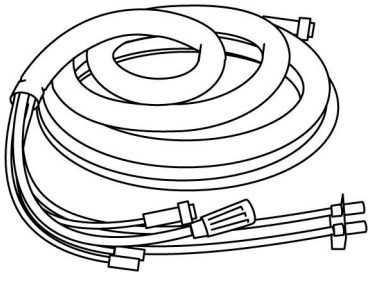


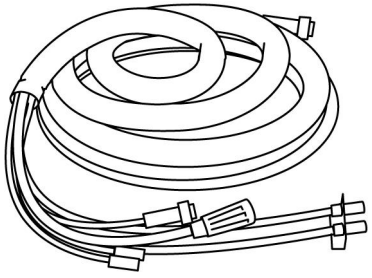
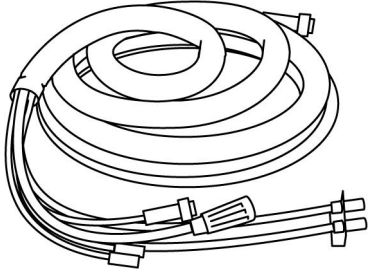
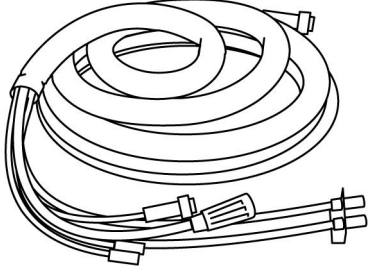
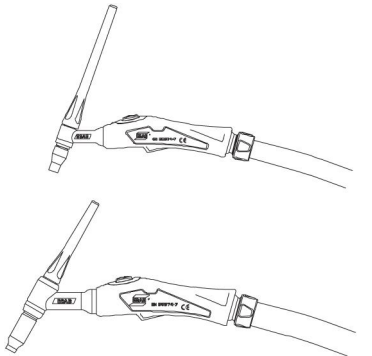

Ordering number	Denomination	Type	Notes
0465 350 881	Welding power source	Warrior 500i CC/CV	
0459 839 084	Spare parts list		
0740 800 221	Service manual		

Technical documentation is available on the Internet at www.esab.com

ACCESSORIES

0465 250 880	Warrior™ Feed 304	
0465 250 881	Warrior™ Feed 304w, with water cooling	
0558 005 728	MobileFeed 300 AVS	
0459 491 896	Remote control unit AT1 SMAW and GTAW current	
0459 491 897	Remote control unit AT1 CF SMAW and GTAW: course and fine setting of current	

Remote control cable 12 pole - 8 pole		
0459 552 880	5 m	
0459 552 881	10 m	
0459 552 882	15 m	
0459 552 883	25 m	
0465 424 880	Remote outlet kit	
0465 416 880	Wheel kit	
0465 510 880	Trolley	
Connection set, 70 mm², 19 poles		
0459 836 880	1.7 m	
0459 836 881	5 m	
0459 836 882	10 m	
0459 836 883	15 m	
0459 836 884	25 m	
0459 836 885	35 m	

Connection set water, 70 mm², 19 poles		
0459 836 890	1.7 m	
0459 836 891	5 m	
0459 836 892	10 m	
0459 836 893	15 m	
0459 836 894	25 m	
0459 836 895	35 m	
Connection set, 95 mm², 19 poles		
0459 836 980	1.7 m	
0459 836 981	5 m	
0459 836 982	10 m	
0459 836 983	15 m	
0459 836 984	25 m	
0459 836 985	35 m	
Connection set water, 95 mm², 19 poles		
0459 836 990	1.7 m	
0459 836 991	5 m	
0459 836 992	10 m	
0459 836 993	15 m	
0459 836 994	25 m	
0459 836 995	35 m	
GTAW torches		
0700 300 539	TXH™ 151 V, OKC50, 4 m	
0700 300 545	TXH™ 151 V, OKC 50, 8 m	
0700 300 553	TXH™ 201 V, OKC 50, 4 m	
0700 300 546	TXH™ 201 V, OKC 50, 8 m	
Arc air torches		
0468 253 880	Flair 600 incl monocable 2.5 m	
0468 253 016	Torch only	
0468 253 015	Monocable only	
0468 253 881	Flair 1600 incl monocable 2.5 m	
0468 253 036	Torch only	
0468 253 035	Monocable only	

